

# Altivar Easy

## Variable Speed Drives ATV610

### Installation Manual

09/2018



---

The information provided in this documentation contains general descriptions and/or technical characteristics of the performance of the products contained herein. This documentation is not intended as a substitute for and is not to be used for determining suitability or reliability of these products for specific user applications. It is the duty of any such user or integrator to perform the appropriate and complete risk analysis, evaluation and testing of the products with respect to the relevant specific application or use thereof. Neither Schneider Electric nor any of its affiliates or subsidiaries shall be responsible or liable for misuse of the information contained herein. If you have any suggestions for improvements or amendments or have found errors in this publication, please notify us.

You agree not to reproduce, other than for your own personal, noncommercial use, all or part of this document on any medium whatsoever without permission of Schneider Electric, given in writing. You also agree not to establish any hypertext links to this document or its content. Schneider Electric does not grant any right or license for the personal and noncommercial use of the document or its content, except for a non-exclusive license to consult it on an "as is" basis, at your own risk. All other rights are reserved.

All pertinent state, regional, and local safety regulations must be observed when installing and using this product. For reasons of safety and to help ensure compliance with documented system data, only the manufacturer should perform repairs to components.

When devices are used for applications with technical safety requirements, the relevant instructions must be followed.

Failure to use Schneider Electric software or approved software with our hardware products may result in injury, harm, or improper operating results.

Failure to observe this information can result in injury or equipment damage.

© 2018 Schneider Electric. All Rights Reserved.

---

# Table of Contents

---



	<b>Safety Information</b> .....	<b>5</b>
	<b>About the Book</b> .....	<b>9</b>
<b>Chapter 1</b>	<b>Introduction</b> .....	<b>11</b>
	Verifying the Absence of Voltage .....	<b>12</b>
	Drive Overview .....	<b>13</b>
	Accessories and Options .....	<b>16</b>
	Green Premium™ .....	<b>16</b>
	Steps for setting up the drive .....	<b>17</b>
	Preliminary Instructions .....	<b>18</b>
<b>Chapter 2</b>	<b>Technical Data</b> .....	<b>19</b>
2.1	Environment Data .....	<b>20</b>
	Temperature Conditions .....	<b>21</b>
	Altitude Conditions .....	<b>21</b>
	Chemical and Mechanical Conditions .....	<b>21</b>
2.2	Mechanical Data .....	<b>22</b>
	Dimensions and Weights .....	<b>22</b>
2.3	Electrical Data .....	<b>29</b>
	Drive Ratings in Normal Duty .....	<b>30</b>
	Drive Ratings in Heavy Duty .....	<b>31</b>
<b>Chapter 3</b>	<b>Drive Mounting</b> .....	<b>33</b>
	Mounting Conditions .....	<b>34</b>
	Derating Curves .....	<b>38</b>
	Mounting Procedures .....	<b>41</b>
<b>Chapter 4</b>	<b>Drive wiring</b> .....	<b>43</b>
	Wiring Instructions .....	<b>44</b>
	Cable Length Instructions .....	<b>47</b>
	Wiring Diagrams .....	<b>49</b>
	Sink / Source Switch Configuration .....	<b>51</b>
	Characteristics of the Power Part Terminals .....	<b>52</b>
	Wiring The Power Part .....	<b>54</b>
	Electromagnetic Compatibility .....	<b>58</b>
	Operation on an IT or Corner Grounded System .....	<b>60</b>
	Disconnecting The Built-in EMC Filter .....	<b>60</b>
	Arrangement and Characteristics of Control Block Terminals and Communication and I/O Ports .....	<b>63</b>
	Control Terminals Electrical Data .....	<b>64</b>
	Wiring The Control Part .....	<b>67</b>
<b>Chapter 5</b>	<b>Checking Installation</b> .....	<b>69</b>
	Before Switching On .....	<b>69</b>
<b>Chapter 6</b>	<b>Maintenance</b> .....	<b>71</b>
	Scheduled servicing .....	<b>71</b>
<b>Glossary</b>	.....	<b>75</b>

---



## Important Information

### NOTICE

Read these instructions carefully, and look at the equipment to become familiar with the device before trying to install, operate, service, or maintain it. The following special messages may appear throughout this documentation or on the equipment to warn of potential hazards or to call attention to information that clarifies or simplifies a procedure.



The addition of this symbol to a “Danger” or “Warning” safety label indicates that an electrical hazard exists which will result in personal injury if the instructions are not followed.



This is the safety alert symbol. It is used to alert you to potential personal injury hazards. Obey all safety messages that follow this symbol to avoid possible injury or death.

### **DANGER**

**DANGER** indicates a hazardous situation which, if not avoided, **will result in** death or serious injury.

### **WARNING**

**WARNING** indicates a hazardous situation which, if not avoided, **could result in** death or serious injury.

### **CAUTION**

**CAUTION** indicates a hazardous situation which, if not avoided, **could result in** minor or moderate injury.

### **NOTICE**

**NOTICE** is used to address practices not related to physical injury.

### PLEASE NOTE

Electrical equipment should be installed, operated, serviced, and maintained only by qualified personnel. No responsibility is assumed by Schneider Electric for any consequences arising out of the use of this material.

A qualified person is one who has skills and knowledge related to the construction and operation of electrical equipment and its installation, and has received safety training to recognize and avoid the hazards involved.

### Qualification Of Personnel

Only appropriately trained persons who are familiar with and understand the contents of this manual and all other pertinent product documentation are authorized to work on and with this product. In addition, these persons must have received safety training to recognize and avoid hazards involved. These persons must have sufficient technical training, knowledge and experience and be able to foresee and detect potential hazards that may be caused by using the product, by changing the settings and by the mechanical, electrical and electronic equipment of the entire system in which the product is used. All persons working on and with the product must be fully familiar with all applicable standards, directives, and accident prevention regulations when performing such work.

## Intended Use

This product is a drive for three-phase asynchronous motors and intended for industrial use according to this manual. The product may only be used in compliance with all applicable safety standard and local regulations and directives, the specified requirements and the technical data. The product must be installed outside the hazardous ATEX zone. Prior to using the product, you must perform a risk assessment in view of the planned application. Based on the results, the appropriate safety measures must be implemented. Since the product is used as a component in an entire system, you must ensure the safety of persons by means of the design of this entire system (for example, machine design). Any use other than the use explicitly permitted is prohibited and can result in hazards. Electrical equipment should be installed, operated, serviced, and maintained only by qualified personnel.

## Product Related Information

**Read and understand these instructions before performing any procedure with this drive.**

### **DANGER**

#### **HAZARD OF ELECTRIC SHOCK, EXPLOSION OR ARC FLASH**

- Only appropriately trained persons who are familiar with and understand the contents of this manual and all other pertinent product documentation and who have received safety training to recognize and avoid hazards involved are authorized to work on and with this drive system. Installation, adjustment, repair and maintenance must be performed by qualified personnel.
- The system integrator is responsible for compliance with all local and national electrical code requirements as well as all other applicable regulations with respect to grounding of all equipment.
- Many components of the product, including the printed circuit boards, operate with mains voltage.
- Only use properly rated, electrically insulated tools and measuring equipment.
- Do not touch unshielded components or terminals with voltage present.
- Motors can generate voltage when the shaft is rotated. Prior to performing any type of work on the drive system, block the motor shaft to prevent rotation.
- AC voltage can couple voltage to unused conductors in the motor cable. Insulate both ends of unused conductors of the motor cable.
- Do not short across the DC bus terminals or the DC bus capacitors or the braking resistor terminals.
- Before performing work on the drive system:
  - Disconnect all power, including external control power that may be present. Take into account that the circuit breaker or main switch does not de-energize all circuits.
  - Place a **Do Not Turn On** label on all power switches related to the drive system.
  - Lock all power switches in the open position.
  - Wait 15 minutes to allow the DC bus capacitors to discharge.
  - Follow the instructions given in the chapter "Verifying the Absence of Voltage" in the installation manual of the product.
- Before applying voltage to the drive system:
  - Verify that the work has been completed and that the entire installation cannot cause hazards.
  - If the mains input terminals and the motor output terminals have been grounded and short-circuited, remove the ground and the short circuits on the mains input terminals and the motor output terminals.
  - Verify proper grounding of all equipment.
  - Verify that all protective equipment such as covers, doors, grids is installed and/or closed.

**Failure to follow these instructions will result in death or serious injury.**

Drive systems may perform unexpected movements because of incorrect wiring, incorrect settings, incorrect data or other errors.

### **WARNING**

#### **UNANTICIPATED EQUIPMENT OPERATION**

- Carefully install the wiring in accordance with the EMC requirements.
- Do not operate the product with unknown or unsuitable settings or data.
- Perform a comprehensive commissioning test.

**Failure to follow these instructions can result in death, serious injury, or equipment damage.**

Damaged products or accessories may cause electric shock or unanticipated equipment operation.

## DANGER

### ELECTRIC SHOCK OR UNANTICIPATED EQUIPMENT OPERATION

Do not use damaged products or accessories.

**Failure to follow these instructions will result in death or serious injury.**

Contact your local Schneider Electric sales office if you detect any damage whatsoever.

## WARNING

### LOSS OF CONTROL

- The designer of any control scheme must consider the potential failure modes of control paths and, for critical control functions, provide a means to achieve a safe state during and after a path failure. Examples of critical control functions are emergency stop, overtravel stop, power outage and restart.
- Separate or redundant control paths must be provided for critical control functions.
- System control paths may include communication links. Consideration must be given to the implications of unanticipated transmission delays or failures of the link.
- Observe all accident prevention regulations and local safety guidelines (1).
- Each implementation of the product must be individually and thoroughly tested for proper operation before being placed into service.

**Failure to follow these instructions can result in death, serious injury, or equipment damage.**

(1) For USA: Additional information, refer to NEMA ICS 1.1 (latest edition), Safety Guidelines for the Application, Installation, and Maintenance of Solid State Control and to NEMA ICS 7.1 (latest edition), Safety Standards for Construction and Guide for Selection, Installation and Operation of Adjustable-Speed Drive Systems.

## NOTICE

### DESTRUCTION DUE TO INCORRECT MAINS VOLTAGE

Before switching on and configuring the product, verify that it is approved for the mains voltage.

**Failure to follow these instructions can result in equipment damage.**

The temperature of the products described in this manual may exceed 80 °C (176 °F) during operation.

## WARNING

### HOT SURFACES

- Ensure that any contact with hot surfaces is avoided.
- Do not allow flammable or heat-sensitive parts in the immediate vicinity of hot surfaces.
- Verify that the product has sufficiently cooled down before handling it.
- Verify that the heat dissipation is sufficient by performing a test run under maximum load conditions.

**Failure to follow these instructions can result in death, serious injury, or equipment damage.**

This equipment has been designed to operate outside of any hazardous location. Only install this equipment in zones known to be free of a hazardous atmosphere.

## DANGER

### POTENTIAL FOR EXPLOSION

Install and use this equipment in non-hazardous locations only.

**Failure to follow these instructions will result in death or serious injury.**





---

# About the Book

---



## At a Glance

### Document Scope

The purpose of this document is:

- to give you mechanical and electrical information related to the drive,
- to show you how to install and wire this drive.

### Validity Note

**NOTE:** The products listed in the document are not all available at the time of publication of this document online. The data, illustrations and product specifications listed in the guide will be completed and updated as the product availabilities evolve. Updates to the guide will be available for download once products are released on the market.

This documentation is valid for the Altivar 610 drive.

The technical characteristics of the devices described in the present document also appear online. To access the information online:

Step	Action
1	Go to the Schneider Electric home page <a href="http://www.schneider-electric.com">www.schneider-electric.com</a> .
2	In the <b>Search</b> box type the reference of a product or the name of a product range. <ul style="list-style-type: none"><li>• Do not include blank spaces in the reference or product range.</li><li>• To get information on grouping similar modules, use asterisks (*).</li></ul>
3	If you entered a reference, go to the <b>Product Datasheets</b> search results and click on the reference that interests you. If you entered the name of a product range, go to the <b>Product Ranges</b> search results and click on the product range that interests you.
4	If more than one reference appears in the <b>Products</b> search results, click on the reference that interests you.
5	Depending on the size of your screen, you may need to scroll down to see the data sheet.
6	To save or print a data sheet as a .pdf file, click <b>Download XXX product datasheet</b> .

The characteristics that are presented in the present document should be the same as those characteristics that appear online. In line with our policy of constant improvement, we may revise content over time to improve clarity and accuracy. If you see a difference between the document and online information, use the online information as your reference.

## Related Documents

Use your tablet or your PC to quickly access detailed and comprehensive information on all our products on [www.schneider-electric.com](http://www.schneider-electric.com).

The internet site provides the information you need for products and solutions:

- The whole catalog for detailed characteristics and selection guides,
- The CAD files to help design your installation, available in over 20 different file formats,
- All software and firmware to maintain your installation up to date,
- A large quantity of White Papers, Environment documents, Application solutions, Specifications... to gain a better understanding of our electrical systems and equipment or automation,
- And finally all the User Guides related to your drive, listed below:

Title of Documentation	Catalog Number
Altivar Easy 610 Catalog	<a href="#">DIA2ED2140702EN (English)</a>
ATV610 Getting Started	<a href="#">EAV64374 (English)</a> <a href="#">EAV64379 (Chinese)</a>
ATV610 Installation Manual	<a href="#">EAV64381 (English)</a> <a href="#">EAV64386 (Chinese)</a>
ATV610 Programming Manual	<a href="#">EAV64387 (English)</a> <a href="#">EAV64393 (Chinese)</a>
ATV610 Communication Parameters File	<a href="#">EAV64394 (English)</a>
ATV610 Modbus Manual	<a href="#">EAV64395 (English)</a>
ATV610 PROFIBUS DP manual	<a href="#">EAV64396 (English)</a>

You can download these technical publications and other technical information from our website at <https://www.schneider-electric.cn/zh/download/>

## Terminology

In the area of drive systems this includes, but is not limited to, terms such as **error, error message, failure, fault, fault reset, protection, safe state, safety function, warning, warning message**, and so on.

Among others, these standards include:

- IEC 61800 series: Adjustable speed electrical power drive systems
- IEC 61508 Ed.2 series: Functional safety of electrical/electronic/programmable electronic safety-related
- EN 954-1 Safety of machinery - Safety related parts of control systems
- ISO 13849-1 & 2 Safety of machinery - Safety related parts of control systems
- IEC 61158 series: Industrial communication networks - Fieldbus specifications
- IEC 61784 series: Industrial communication networks - Profiles
- IEC 60204-1: Safety of machinery - Electrical equipment of machines – Part 1: General requirements

In addition, the term **zone of operation** is used in conjunction with the description of specific hazards, and is defined as it is for a **hazard zone** or **danger zone** in the EC Machinery Directive (2006/42/EC) and in ISO 12100-1.

Also see the glossary at the end of this manual.

## Contact Us

Select your country on:

[www.schneider-electric.com/contact](http://www.schneider-electric.com/contact)

**Schneider Electric Industries SAS**

Head Office

35, rue Joseph Monier

92500 Rueil-Malmaison

France

---

# Chapter 1

## Introduction

---

### What Is in This Chapter?

This chapter contains the following topics:

Topic	Page
Verifying the Absence of Voltage	12
Drive Overview	13
Accessories and Options	16
Green Premium™	16
Steps for setting up the drive	17
Preliminary Instructions	18

## Verifying the Absence of Voltage

### Instructions

The DC bus voltage level is determined by measuring the voltage between the DC bus terminals PA/+ and PC/-.

The location of the DC bus terminals depends on the drive model.

Identify your drive model by referring to the nameplate of the drive. Then, refer to the chapter "Wiring the Power Part" (*see page 54*) for the location of the DC bus terminals PA/+ and PC/-.

### DANGER

#### HAZARD OF ELECTRIC SHOCK, EXPLOSION OR ARC FLASH

- Only appropriately trained persons who are familiar with and understand the contents of this manual and all other pertinent product documentation and who have received safety training to recognize and avoid hazards involved are authorized to work on and with this drive system. Installation, adjustment, repair and maintenance must be performed by qualified personnel.
- The system integrator is responsible for compliance with all local and national electrical code requirements as well as all other applicable regulations with respect to grounding of all equipment.
- Many components of the product, including the printed circuit boards, operate with mains voltage.
- Only use properly rated, electrically insulated tools and measuring equipment.
- Do not touch unshielded components or terminals with voltage present.
- Motors can generate voltage when the shaft is rotated. Prior to performing any type of work on the drive system, block the motor shaft to prevent rotation.
- AC voltage can couple voltage to unused conductors in the motor cable. Insulate both ends of unused conductors of the motor cable.
- Do not short across the DC bus terminals or the DC bus capacitors or the braking resistor terminals.
- Before performing work on the drive system:
  - Disconnect all power, including external control power that may be present. Take into account that the circuit breaker or main switch does not de-energize all circuits.
  - Place a **Do Not Turn On** label on all power switches related to the drive system.
  - Lock all power switches in the open position.
  - Wait 15 minutes to allow the DC bus capacitors to discharge.
  - Follow the instructions given in the chapter "Verifying the Absence of Voltage" in the installation manual of the product.
- Before applying voltage to the drive system:
  - Verify that the work has been completed and that the entire installation cannot cause hazards.
  - If the mains input terminals and the motor output terminals have been grounded and short-circuited, remove the ground and the short circuits on the mains input terminals and the motor output terminals.
  - Verify proper grounding of all equipment.
  - Verify that all protective equipment such as covers, doors, grids is installed and/or closed.

**Failure to follow these instructions will result in death or serious injury.**

### Procedure



Perform the following actions to verify the absence of voltage



Step	Action
1	Measure the voltage on the DC bus between the DC bus terminals (PA/+ and PC/-) using a properly rated voltmeter to verify that the voltage is less than 42 Vdc
2	If the DC bus capacitors do not discharge properly, contact your local Schneider Electric representative. Do not repair or operate the product.
3	Verify that no other voltage is present in the drive system.

## Drive Overview

### Frame Sizes

The family of Altivar 610 includes 6 frame sizes of IP20 products.

Frame Size 1	Frame Size 2
3-phase 380...415 V, 0.75...7.5 kW, 1...10 HP	3-phase 380...415 V, 11 and 15 kW, 15 and 20 HP
	
ATV610U07N4...U75N4	ATV610D11N4 and D15N4

Frame Size 3	Frame Size 4
3-phase 380...415 V, 18.5 and 22 kW, 25 and 30 HP	3-phase 380...415 V, 30...45 kW, 40...60 HP
	
ATV610D18N4 and D22N4	ATV610D30N4...D45N4

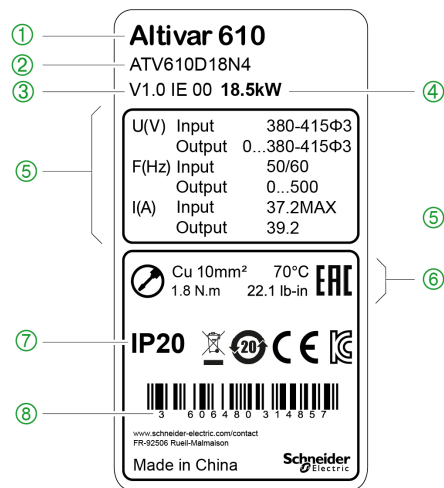
Frame Size 5	Frame Size 6
3-phase 380...415 V, 55...90 kW, 75... 125 HP	3-phase 380...415 V, 110...160 kW 150...250 HP
	
ATV610D55N4...D90N4	ATV610C11N4...C16N4,

### Catalog Number Description

	ATV	610	D	75	N4
<b>Product Range</b> ATV Altivar					
<b>Product Type</b> 610 610: Standard product					
<b>Factor for power rating</b> U power x 0.1 D power x 1 C power x 10					
<b>Power rating</b> 07 - 11 - 13 - 15 - 55 - 75					
<b>Power part supply</b> N4 380 Vac (380...415 Vac) 3 phase N4Z 380 Vac (380...415 Vac) 3 phase, product without Plain Text Display Terminal					

## Nameplate example

The nameplate contains the following data:



- ① Product type
- ② Catalog number
- ③ Firmware version
- ④ Power rating
- ⑤ Power part information
- ⑥ Power part cable information
- ⑦ Degree of protection
- ⑧ Serial number

---

## Accessories and Options

### Introduction

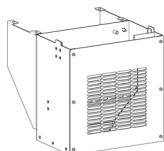
Altivar Easy 610 drives are designed to take numerous accessories and options to increase their functionality. For a detailed description and catalog numbers, refer to the Catalog (*see page 10*).

All accessories and options come with an instruction sheet to help installation and commissioning. Therefore you will only find here a short product description.

### Accessories

#### IP upgrade

- Metal conduit box for size 6 product for IP21 degree of protection on bottom side.



#### Plain text display terminal

- Remote mounting kit for mounting on enclosure door

### Filters

#### dv/dt filters

### Options

#### I/O extension modules

- Digital and analog I/O module
- Relay output module

#### Communication

- PROFIBUS DP V1 communication module

## Green Premium™

### Description

Information on the environmental impact of products, their resource efficiency, and end-of-life instructions.

### Easy access to information: "Check Your Product"

Certificates and relevant product information available at the address:

[www.schneider-electric.com/green-premium](http://www.schneider-electric.com/green-premium)

You can download RoHS and REACH compliance declarations, Product Environmental Profiles (PEP) and End-of-Life instructions (EoLi).





## Steps for setting up the drive

### Procedure

## INSTALLATION

### ① Receive and inspect the drive controller

- ❑ Check that the catalog number printed on the label is the same as that on the purchase order
- ❑ Remove the drive from its packaging and check that it has not been damaged

### ② Verify the supply mains

- ❑ Verify that the supply mains is compatible with the power part supply range of the drive.

### ③ Mount the drive

- ❑ Mount the drive in accordance with the instructions in this document
- ❑ Install the transformer(s), if any
- ❑ Install any internal and external options

### ④ Wire the drive

- ❑ Connect the motor, ensuring that its connections correspond to the voltage
- ❑ Connect the supply mains, after making sure that the power is off
- ❑ Connect the control

*Steps 1 to 4 must be performed with the power off.*



## ⑤ PROGRAMMING

Refer to the Programming Manual

## Preliminary Instructions

### Inspecting the product

Damaged products or accessories may cause electric shock or unanticipated equipment operation.

### DANGER

#### ELECTRIC SHOCK OR UNANTICIPATED EQUIPMENT OPERATION

Do not use damaged products or accessories.

**Failure to follow these instructions will result in death or serious injury.**

Contact your local Schneider Electric sales office if you detect any damage whatsoever.

Step	Action
1	Verify that the catalog number printed on the nameplate ( <i>see page 15</i> ) corresponds to the purchase order.
2	Before performing any installation work, inspect the product for visible damage.

### Handling

### WARNING

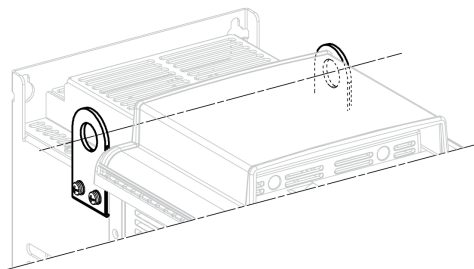
#### INCORRECT HANDLING

- Follow all handling instructions provided in this manual and in all associated product documentation.
- Handle and store the product in its original packaging.
- Do not handle and store the product if the packaging is damaged or appears to be damaged.
- Take all measures required to avoid damage to the product and other hazards when handling or opening the packaging.

**Failure to follow these instructions can result in death, serious injury, or equipment damage.**

Altivar Easy drives of frame sizes 1 up to 3 can be removed from their packaging and installed without a handling device.

Higher frame size drives require a handling device. These drives are equipped with lifting lugs.



---

# Chapter 2

## Technical Data

---

### What Is in This Chapter?

This chapter contains the following sections:

Section	Topic	Page
2.1	Environment Data	20
2.2	Mechanical Data	22
2.3	Electrical Data	29

---

## Section 2.1

### Environment Data

---

#### What Is in This Section?

This section contains the following topics:

Topic	Page
Temperature Conditions	21
Altitude Conditions	21
Chemical and Mechanical Conditions	21

## Temperature Conditions

### Climatic Environmental Conditions for Transportation and Storage

The environment during transportation and storage must be dry and free from dust.

Storage	Temperature	°C	-40...70
		°F	-40...158
Transportation	Temperature	°C	-40...70
		°F	-40...158
Relative humidity		%	5...95

### Climatic Environmental Conditions for Operation

The maximum permissible ambient temperature during operation depends on the mounting distances between the devices and on the required power. Observe the pertinent instructions in the chapter Drive Mounting (*see page 33*).

Frame sizes 1...6 ATV610**** products	Temperature without derating	°C	-15...45
		°F	5...113
	Temperature with derating of output power (1)	°C	Up to 60
		°F	Up to 140
	Temperature with derating of output power (1) and control without Graphic display terminal	°C	Up to 70
		°F	-40...158
All products	Relative humidity without condensing	%	5...95

(1) Refer to Derating Curves section (*see page 38*).

## Altitude Conditions

### Operating Altitude

Frame Sizes 1...6

Altitude	Supply voltage	Supply Electrical Network			Derating
		TT/TN	IT	Corner-Grounded	
Up to 1000 m (3300 ft)	380...415 V	✓	✓	✓	o
1000...2000 m (3300...6600 ft)	380...415 V	✓	✓	✓	✓
2000...3800 m (6600...12400 ft)	380...415 V	✓	✓	–	✓
3800...4800 m (12400...15700 ft)	380...415 V	✓	–	–	✓
<b>Legend:</b> ✓: Derate the nominal current of the drive by 1% for each additional 100 m. o: Without derating –: Not applicable					

## Chemical and Mechanical Conditions

### Withstand to harsh environments, conforming to IEC/EN 60721-3-3

- Chemical active substances, class 3C3
- Mechanical active substances, class 3S3
- Mechanical conditions, class 3M3

## Section 2.2

### Mechanical Data

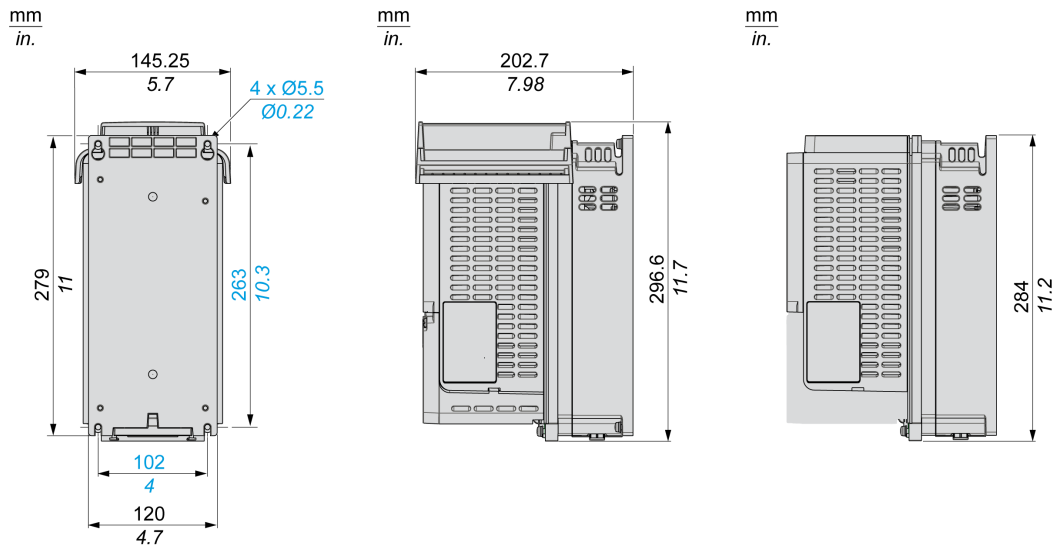
#### Dimensions and Weights

##### About the drawings

All drawings CAD files can be downloaded from [www.schneider-electric.com](http://www.schneider-electric.com)

##### Frame Size 1

#### IP20 Drives - Rear and Side View With Top Cover - Side View Without Top Cover

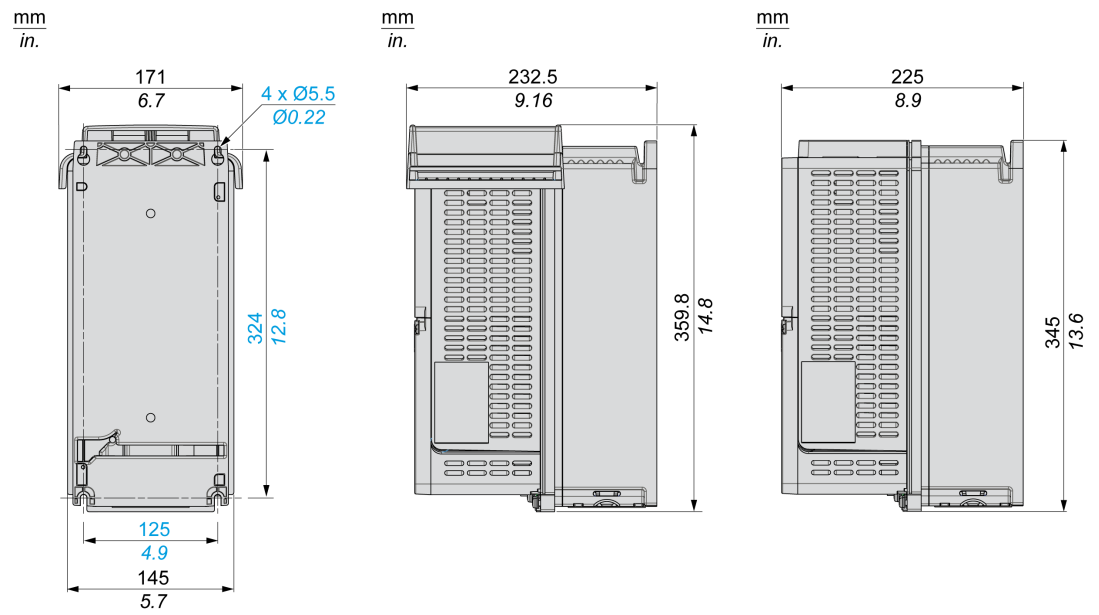


#### Weights

Catalog Number	Weight in kg (lb)
ATV610U07N4...U30N4	2.4 (5.3)
ATV610U40N4	4.0 (8.8)
ATV610U55N4, ATV610U75N4	4.1 (9)

Frame size 2

IP20 Drives - Rear and Side View With Top Cover - Side View Without Top Cover

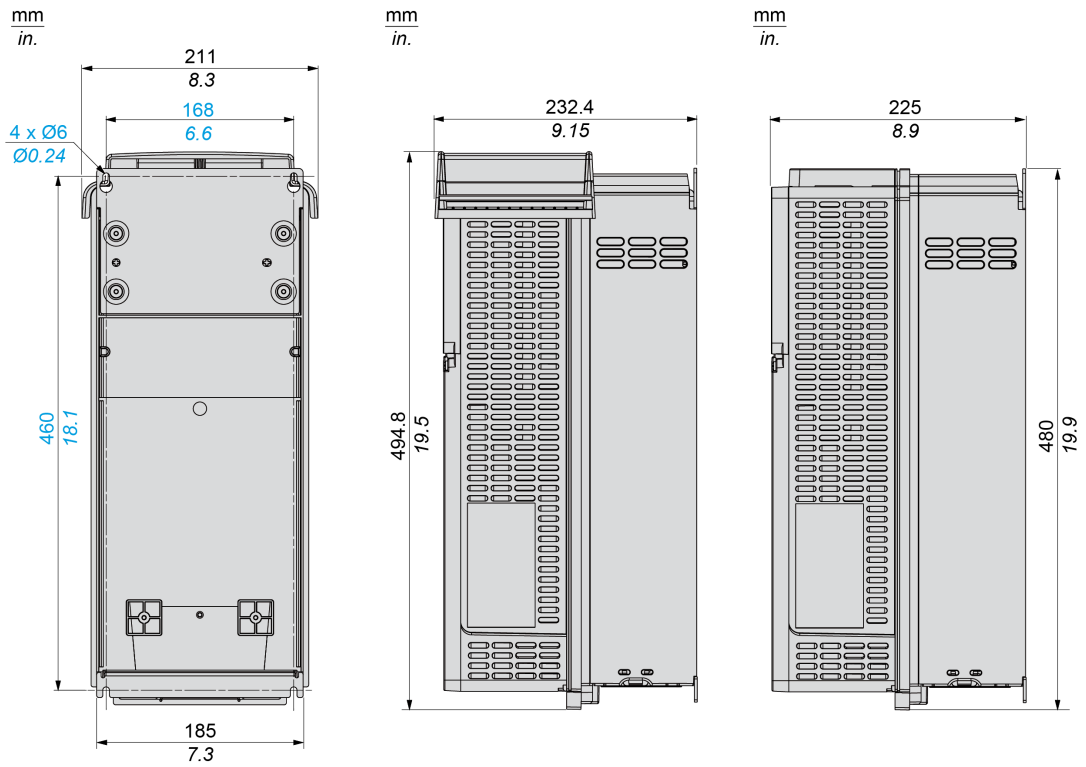


Weights

Catalog Number	Weight in kg (lb)
ATV610D11N4 and ATV610D15N4	7.2 (15.9)

**Frame size 3**

**IP20 Drives - Rear and Side View With Top Cover - Side View Without Top Cover**



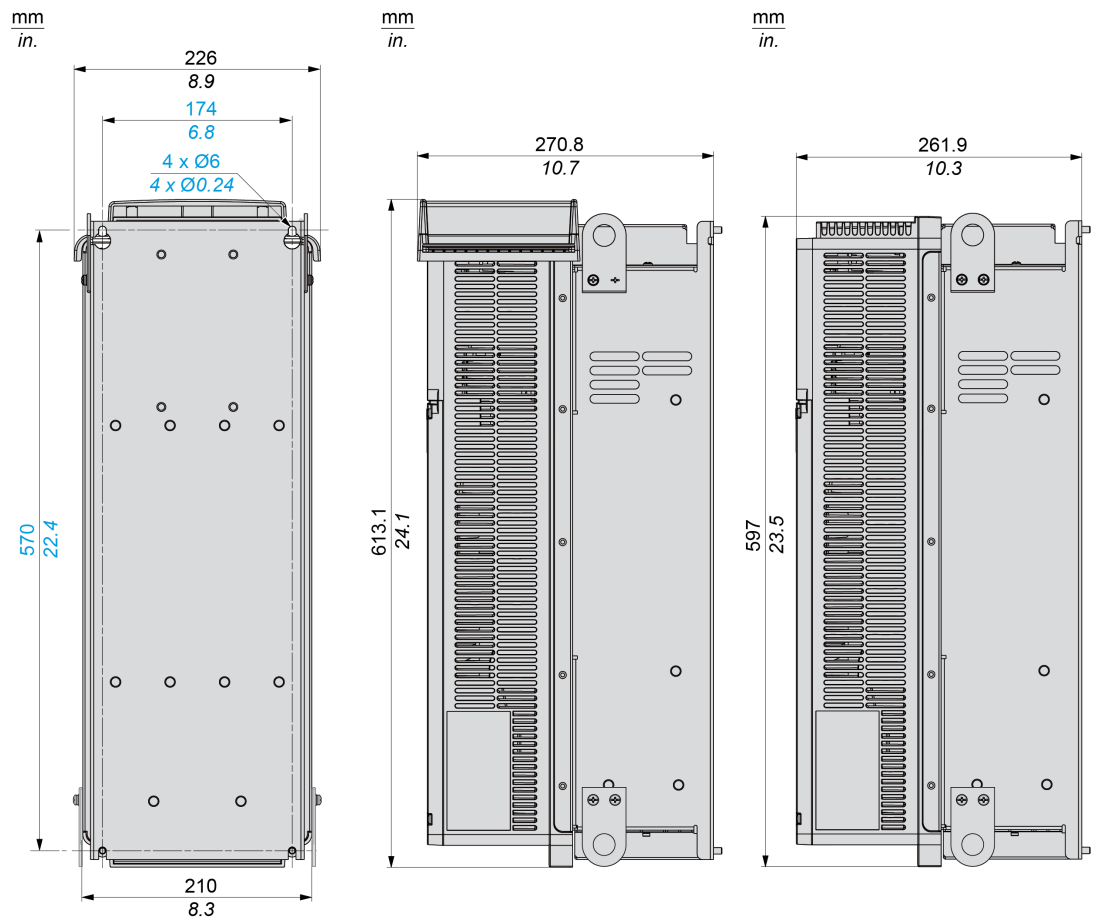
**Weights**

Catalog Number	Weight in kg (lb)
ATV610D18N4 and ATV610D22N4	14 (30.9)



Frame size 4

IP20 Drives - Rear and Side View With Top Cover - Side View Without Top Cover

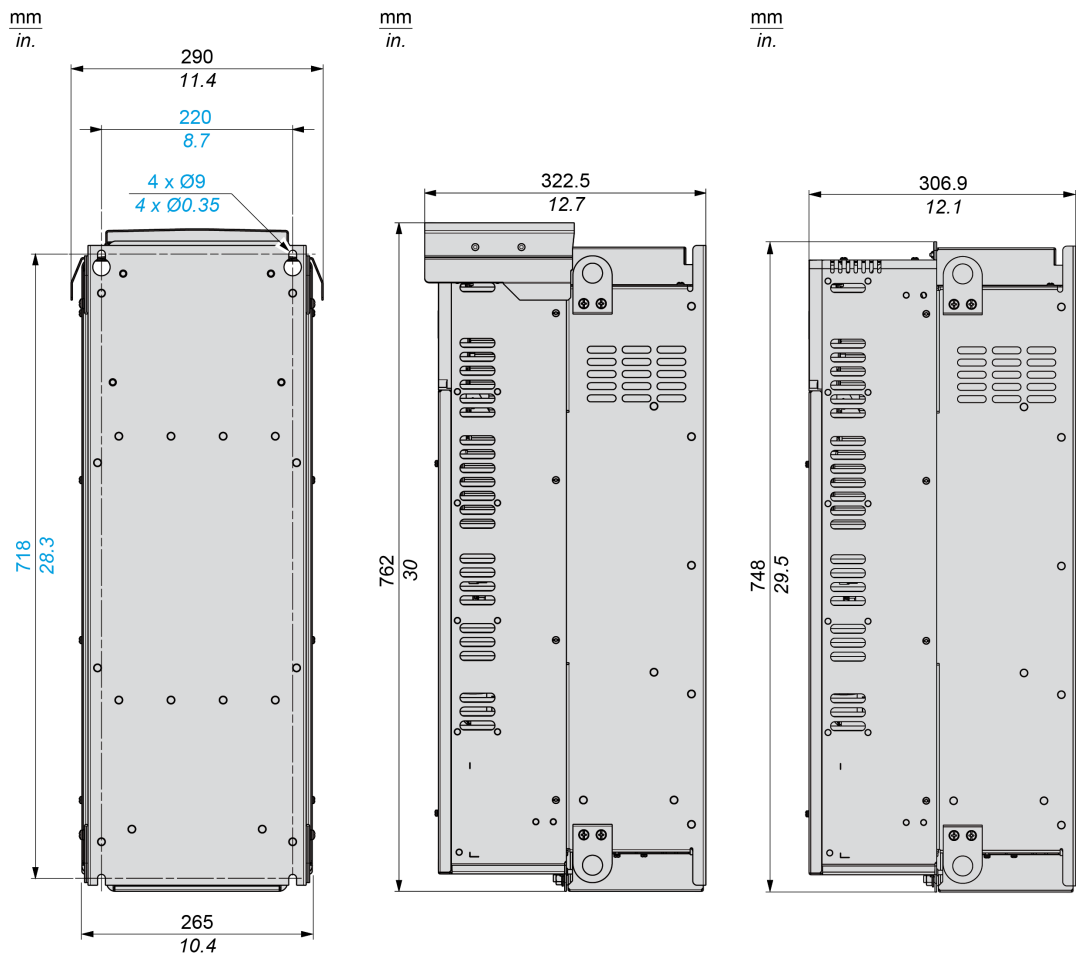


Weights

Catalog Number	Weight in kg (lb)
ATV610D30N4...ATV610D45N4	28 (61.7)

## Frame size 5

### IP20 Drives - Rear and Side View With Top Cover - Side View Without Top Cover

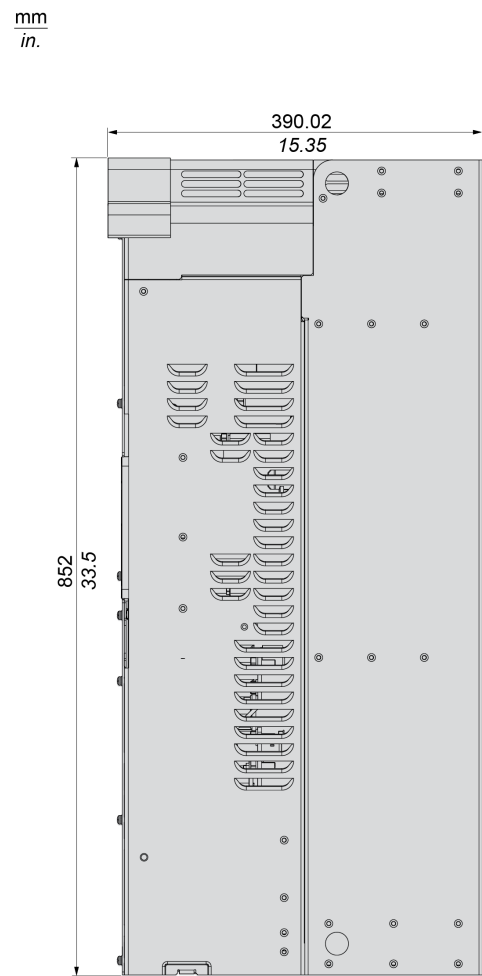
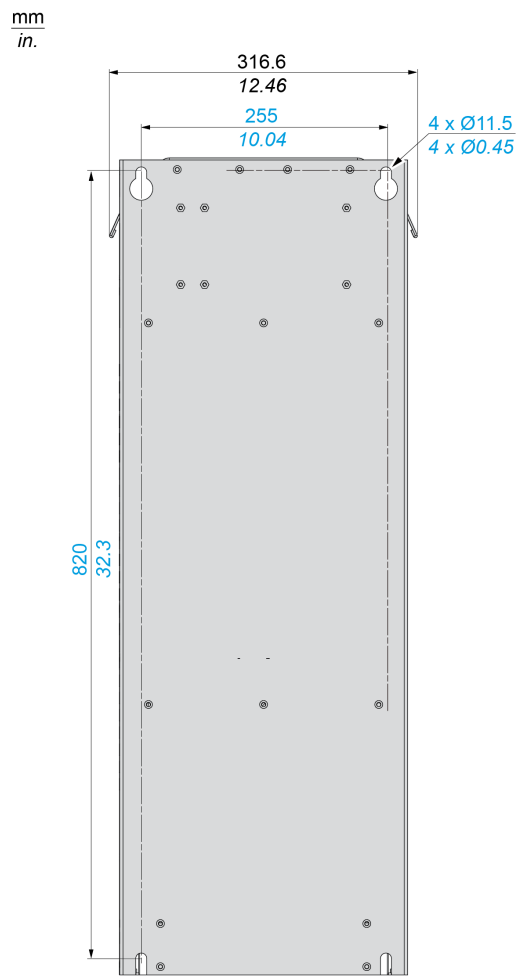


### Weights

Catalog Number	Weight in kg (lb)
ATV610D55N4...ATV610D90N4	53.7 (118.4)

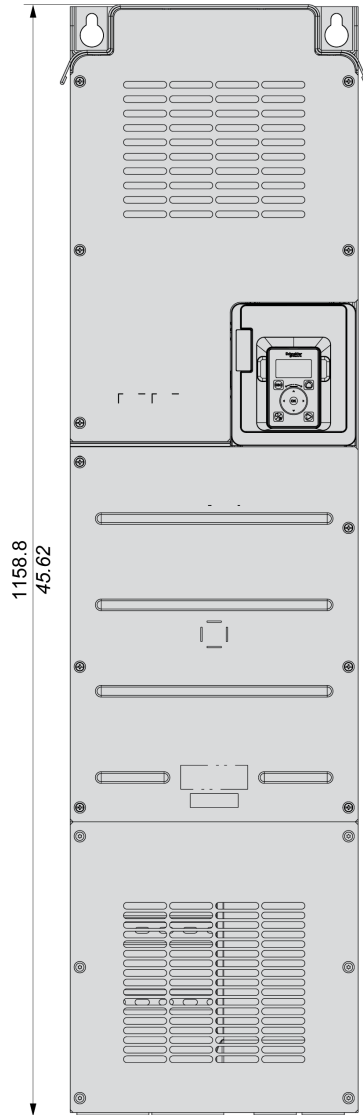
Frame size 6

IP20 on Top and IP00 on bottom Drives - Rear and Side View With Top Cover

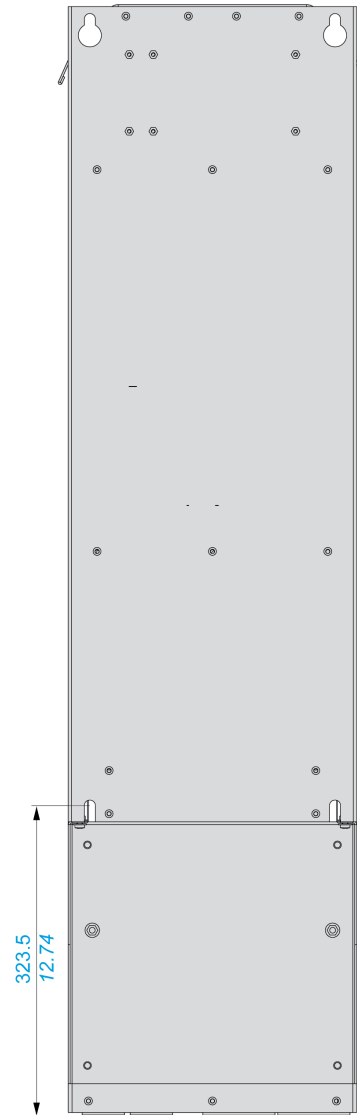


IP20 Drives - Rear, Front and Side View With Top Cover and Conduit Box

mm  
in.



mm  
in.



Weights

Catalog Number	Weight in kg (lb)
ATV610C11N4...ATV610C16N4	82 (181)

---

## Section 2.3

### Electrical Data

---

#### What Is in This Section?

This section contains the following topics:

Topic	Page
Drive Ratings in Normal Duty	30
Drive Ratings in Heavy Duty	31

## Drive Ratings in Normal Duty

### Normal Duty

Normal duty values are given for applications requiring a slight overload (up to 120 %).

#### NOTE:

- Refer to the catalog for the fuse coordination table.
- Refer to the ATV610 Programming manual (*see page 10*) for motor overload protection and overtemperature protection.

IP20 Products (frame sizes 1...5) and IP20 on Top, IP00 on bottom products (frame size 6), 3-Phase Power Part Supply Voltage 380...415 V 50/60 Hz

Catalog Number and Size [°]		Nominal Power (1)		Power Part Supply				Drive (output)	
				Max. Input Current		Apparent Power	Max. Inrush Current (2)	Nominal Current (1)	Max. Transient current (1) (3)
				at 380 Vac	at 415 Vac				
		kW	HP	A	A	kVA	A	A	A
ATV610U07N4	[1]	0.75	1	3.1	2.9	2.1	8	2.2	2.4
ATV610U15N4	[1]	1.5	2	5.7	5.3	3.8	8	4	4.4
ATV610U22N4	[1]	2.2	3	7.8	7.1	5.1	8	5.6	6.2
ATV610U30N4	[1]	3	-	10.1	9.2	6.6	34	7.2	7.9
ATV610U40N4	[1]	4	5	8.8	8.5	6.1	33	9.3	10.2
ATV610U55N4	[1]	5.5	7 1/2	11.6	11.0	7.9	34	12.7	14.0
ATV610U75N4	[1]	7.5	10	14.7	13.7	9.9	34	15.8	17.4
ATV610D11N4	[2]	11	15	22.0	20.7	14.9	40	23.5	25.9
ATV610D15N4	[2]	15	20	29.4	27.7	19.9	40	31.7	34.9
ATV610D18N4	[3]	18.5	25	37.2	35.2	25.3	76	39.2	43.1
ATV610D22N4	[3]	22	30	41.9	39.0	28.0	76	46.3	50.9
ATV610D30N4	[4]	30	40	62.5	59.7	42.9	91	61.5	67.7
ATV610D37N4	[4]	37	50	76.6	72.9	52.4	101	74.5	82.0
ATV610D45N4	[4]	45	60	92.9	88.3	63.5	124	88	96.8
ATV610D55N4	[5]	55	75	111.5	105.6	75.9	167	120	132.0
ATV610D75N4	[5]	75	100	147.9	139.0	99.9	186	145	159.5
ATV610D90N4	[5]	90	125	177.8	168.5	121.1	240	173	190.3
ATV610C11N4	[6]	110	150	201	165.0	118.6	325	211	232
ATV610C13N4	[6]	132	200	237	213.0	153.1	325	250	275
ATV610C16N4	[6]	160	250	284	261.0	187.6	325	302	332

(1) The switching frequency is adjustable:

- From 2...12 kHz for drive frame sizes 1 to 4, rated value: 4 kHz
- From 1...8 kHz for drive frame sizes 5 and 6, rated value: 2.5 kHz

For operation at switching frequencies higher than the rated value. Derating must be applied to the drive (output) current (*see page 38*). In this case, switching frequency can be reduced if an excessive temperature rise occurs.

(2) Peak current when power is switched On, for the maximum supply mains voltage.

(3) The drive is designed to run up to 60 s at 110% of nominal current.

## Drive Ratings in Heavy Duty

### Heavy Duty

Heavy-duty values are given for applications requiring a significant overload (up to 150 %).

**NOTE:**

- Refer to the catalog for the fuse coordination table.
- Refer to the ATV610 Programming manual (*see page 10*) for motor overload protection and overtemperature protection.

**IP20 Products (frame sizes 1...5) and IP20 on Top, IP00 on bottom products, 3-Phase Power Part Supply Voltage 380...415 V 50/60 Hz**

Catalog Number and Size [1]		Nominal Power (1)		Power Part Supply			Drive (output)		
				Max. Input Current		Apparent Power	Max. Inrush Current(2)	Nominal Current (1)	Max. Transient current (1) (3)
				at 380 Vac	at 415 Vac				
		kW	HP	A	A	kVA	A	A	A
ATV610U07N4	[1]	0.37	1/2	1.7	1.5	1.1	8	1.5	2.3
ATV610U15N4	[1]	0.75	1	3.1	2.8	2.0	8	2.2	3.3
ATV610U22N4	[1]	1.5	2	5.6	5.1	3.7	8	4	6.0
ATV610U30N4	[1]	2.2	3	7.6	7	5.0	34	5.6	8.4
ATV610U40N4	[1]	3	-	7.2	6.7	4.8	33	7.2	10.8
ATV610U55N4	[1]	4	5	8.9	8.6	6.2	34	9.3	14.0
ATV610U75N4	[1]	5.5	7 1/2	11.3	10.7	7.7	34	12.7	19.1
ATV610D11N4	[2]	7.5	10	16.4	15.7	11.3	40	16.5	24.8
ATV610D15N4	[2]	11	15	23	21.9	15.7	40	23.5	35.3
ATV610D18N4	[3]	15	20	31.6	30.3	21.8	76	31.7	47.6
ATV610D22N4	[3]	18.5	25	36	33.8	24.3	76	39.2	58.8
ATV610D30N4	[4]	22	30	49.7	46.3	33.3	91	46.3	69.5
ATV610D37N4	[4]	30	40	65.8	61.8	44.4	101	59.6	89.4
ATV610D45N4	[4]	37	50	80.5	75.8	54.5	124	74.5	112
ATV610D55N4	[5]	45	60	95.9	91.2	65.6	167	88	132.0
ATV610D75N4	[5]	55	75	115.8	110.0	79.1	186	106	159.0
ATV610D90N4	[5]	75	100	155.8	149.1	107.2	240	145	217.5
ATV610C11N4	[6]	90	125	170	160	115.0	325	173	259.5
ATV610C13N4	[6]	110	150	201	188	135.1	325	211	317
ATV610C16N4	[6]	132	200	237	224	161.0	325	250	375

(1) The switching frequency is adjustable:  
 ○ From 2...12 kHz for drive frame sizes 1 to 4, rated value: 4 kHz  
 ○ From 1...8 kHz for drive frame sizes 5 and 6, rated value: 2.5 kHz

For operation at switching frequencies higher than the rated value. Derating must be applied to the drive (output) current (*see page 38*). In this case, switching frequency can be reduced if an excessive temperature rise occurs.

(2) Peak current when power is switched On, for the maximum supply mains voltage.

(3) The drive is designed to run up to 60 s at 110% of nominal current.





---

# Chapter 3

## Drive Mounting

---

### What Is in This Chapter?

This chapter contains the following topics:

Topic	Page
Mounting Conditions	34
Derating Curves	38
Mounting Procedures	41

## Mounting Conditions

### Before You Begin

Conductive foreign objects, dust or liquids or damaged parts may cause parasitic voltage.

⚡ ⚠ DANGER
<p><b>ELECTRIC SHOCK CAUSED BY FOREIGN OBJECTS OR DAMAGE</b></p> <ul style="list-style-type: none"> <li>Do not use damaged products.</li> <li>Keep foreign objects such as chips, screws or wire clippings from getting into the product.</li> <li>Verify correct seat of seals and cable entries in order to avoid deposits and humidity.</li> </ul> <p><b>Failure to follow these instructions will result in death or serious injury.</b></p>

The temperature of the products described in this manual may exceed 80 °C (176 °F) during operation.


⚠ WARNING
<p><b>HOT SURFACES</b></p> <ul style="list-style-type: none"> <li>Ensure that any contact with hot surfaces is avoided.</li> <li>Do not allow flammable or heat-sensitive parts in the immediate vicinity of hot surfaces.</li> <li>Verify that the product has sufficiently cooled down before handling it.</li> <li>Verify that the heat dissipation is sufficient by performing a test run under maximum load conditions.</li> </ul> <p><b>Failure to follow these instructions can result in death, serious injury, or equipment damage.</b></p>

Power Drive Systems (PDS) can generate strong local electrical and magnetic fields. This can cause interference in electromagnetically sensitive devices.

⚠ WARNING
<p><b>ELECTROMAGNETIC FIELDS</b></p> <ul style="list-style-type: none"> <li>Keep persons with electronic medical implants, such as pacemakers, away from the equipment.</li> <li>Do not place electromagnetically sensitive devices in the vicinity of the equipment.</li> </ul> <p><b>Failure to follow these instructions can result in death, serious injury, or equipment damage.</b></p>

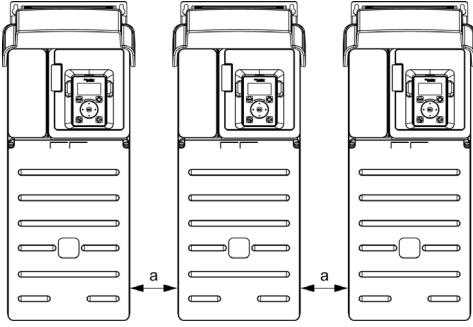
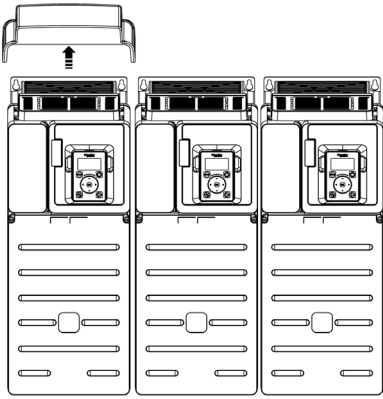
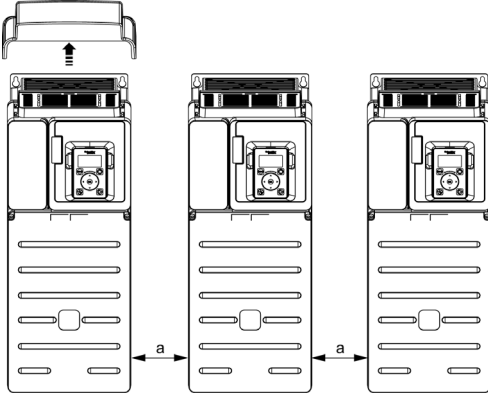
### Attaching A Label With Safety Instructions

A label kit is provided with the drive.

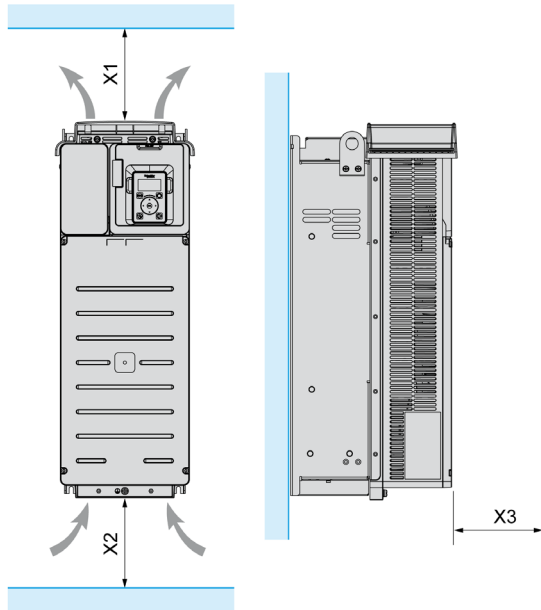
Step	Action
1	Observe the safety regulations in the target country
2	Select the label suitable for the target country
3	<p>Attach the label to the front of the device so that it is clearly visible. Below is the English version. The label can vary depending on the frame size of the product.</p> <div style="border: 1px solid black; padding: 5px; margin: 10px 0;">  <p><b>ELECTRIC SHOCK, EXPLOSION, OR ARC FLASH.</b></p> <p>To service, remove all power. - Wait 15 minutes - Verify no voltage is present.</p> <p><b>Failure to comply will result in death or serious injury</b></p> </div>

## Mounting Types

This table shows the possible mounting types and the resulting IP degree of protection.

Mounting		Figure
No	Type / IP	
A	Individual IP20	 <p>Frame sizes 1, 2 and 3: <math>a \geq 100 \text{ mm (3.9 in.)}</math>            Frame sizes 4, 5 and 6: <math>a \geq 110 \text{ mm (4.33 in.)}</math></p>
B	Side by side IP20	 <p>Frame sizes 1, 2 and 3: possible            Frame sizes 4 and 5: possible, 2 drives only            Frame size 6: only at ambient temperature lower than 40 °C (104 °F)</p>
C	Individual IP20	 <p>Frame sizes 1, 2 and 3: no restriction of clearance            Frame sizes 4, 5 and 6: <math>a \geq 110 \text{ mm (4.33 in.)}</math></p>

## Clearances and Mounting Position - Wall Mounting



Minimum clearance regarding the drive frame size

Frame Size	X1	X2	X3
1...5	≥ 100 mm (3.94 in.)	≥ 100 mm (3.94 in.)	≥ 10 mm (0.39 in.)
6	≥ 250 mm (10 in.)	≥ 250 mm (10 in.)	≥ 100 mm (3.94 in.)

X1: free space in top of the drive

X2: free space in bottom of the drive

X3: free space in front of the drive

## General Mounting Instructions

- Mount the device in a vertical position. This is required for cooling the device.
- Attach it on the mounting surface in compliance with standards, using 4 screws with captive washer according to the table given in Mounting Procedures (*see page 41*).
- The use of washers is required with all mounting screws.
- Tighten the fixation screws.
- Do not mount the device close to heat sources.
- Avoid environmental effects like high temperatures and high humidity as well as dust, dirt and conductive gases.
- Adhere to the minimum installation distances for required cooling.
- Do not mount the device on flammable materials.

## Power Dissipated For Enclosed Drives and Required Air Flow

Catalog Number	Frame Size	Power Dissipated (1)			Minimum air flow rate required per hour	
		Forced Cooled Area	Natural Cooled Area	Total	(m <sup>3</sup> )	(yd <sup>3</sup> )
		(W)	(W)	(W)		
ATV610U07N4	1	19	23	42	38	50
ATV610U15N4	1	40	25	65	38	50
ATV610U22N4	1	54	27	81	38	50
ATV610U30N4	1	74	29	103	38	50
ATV610U40N4	1	128	32	160	38	50
ATV610U55N4	1	171	35	205	38	50
ATV610U75N4	1	216	42	258	103	135
ATV610D11N4	2	310	54	364	103	135
ATV610D15N4	2	408	62	469	215	281
ATV610D18N4	3	410	64	474	215	281
ATV610D22N4	3	492	72	564	215	281
ATV610D30N4	4	649	91	740	240	314
ATV610D37N4	4	842	109	950	240	314
ATV610D45N4	4	1000	121	1121	240	314
ATV610D55N4	5	969	131	1100	295	386
ATV610D75N4	5	1460	177	1637	295	386
ATV610D90N4	5	1745	199	1943	295	386
ATV610C11N4	6	2060	230	2290	600	785
ATV610C13N4	6	2620	260	2880	600	785
ATV610C16N4	6	3410	300	3710	600	785

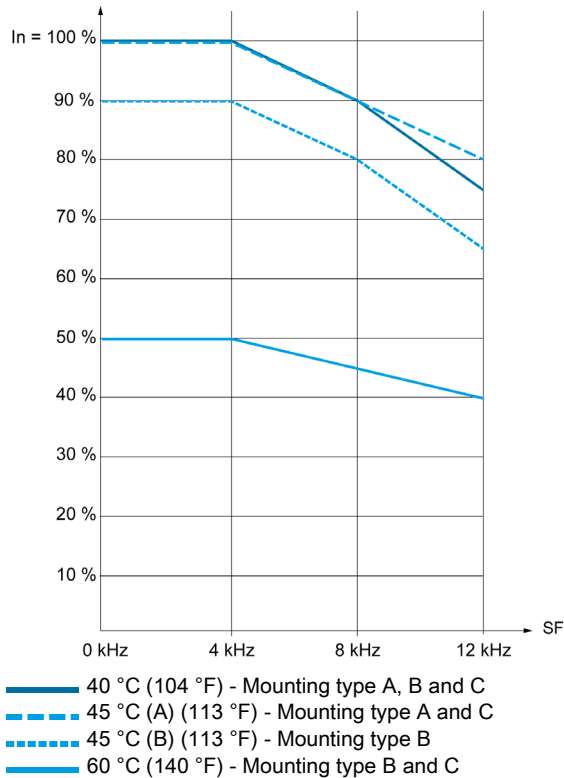
**(1)** First value is the power dissipated at nominal current in the forced cooled area of the drive. The second value is the power dissipated at nominal current in the natural cooled area. If the drive is installed in a standard cabinet, the sum of both values is to be taken into account.

## Derating Curves

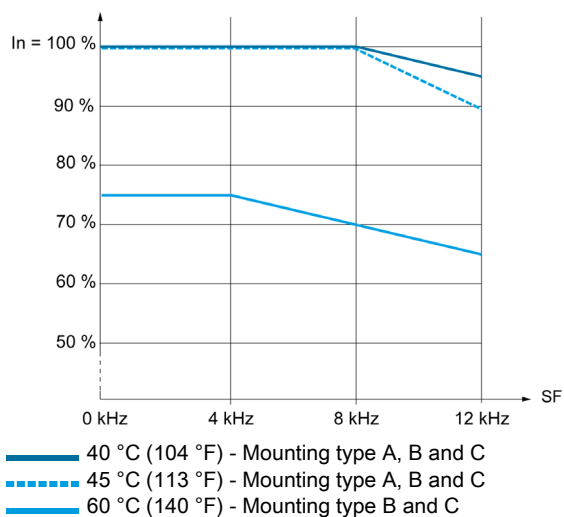
### Description

Derating curves for the nominal drive current ( $I_n$ ) as a function of temperature and switching frequency. Refer to the Mounting Conditions chapter (*see page 35*) for the mounting types description.

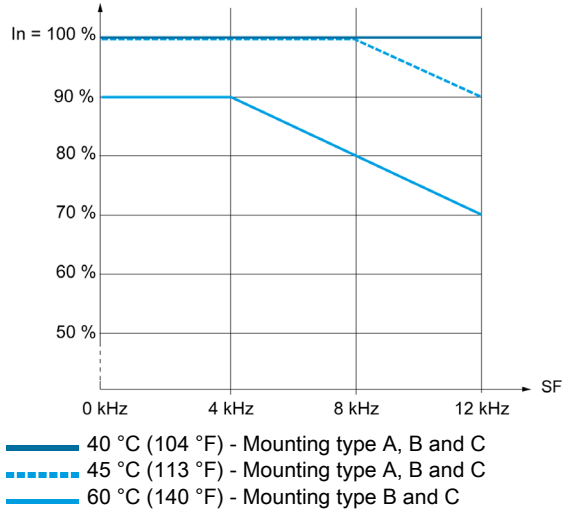
### Frame Size 1



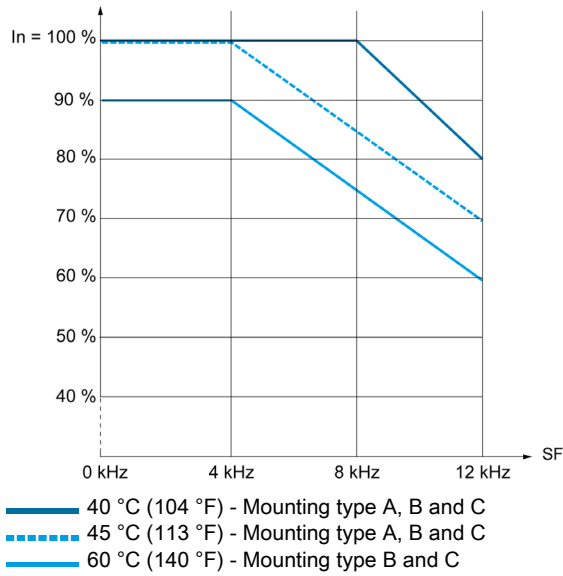
### Frame Size 2



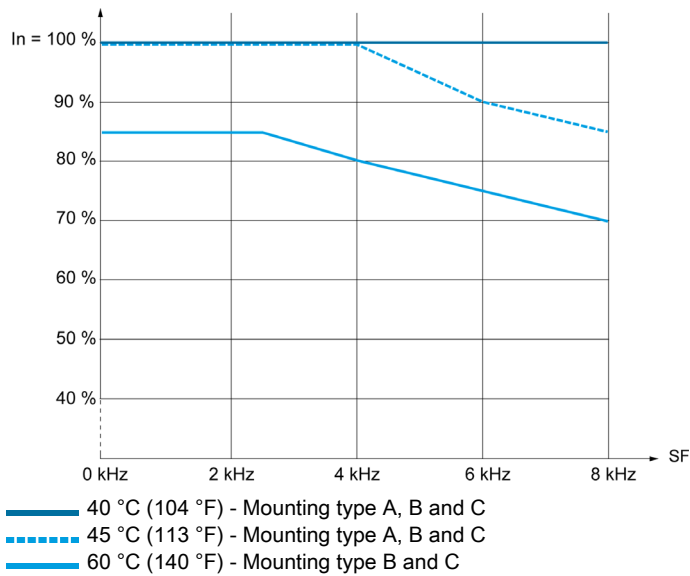
### Frame Size 3



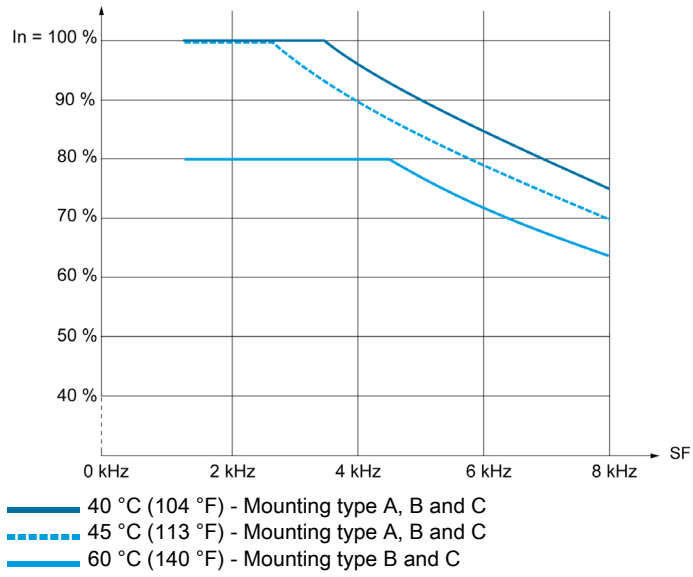
### Frame Size 4



### Frame Size 5



## Frame Size 6



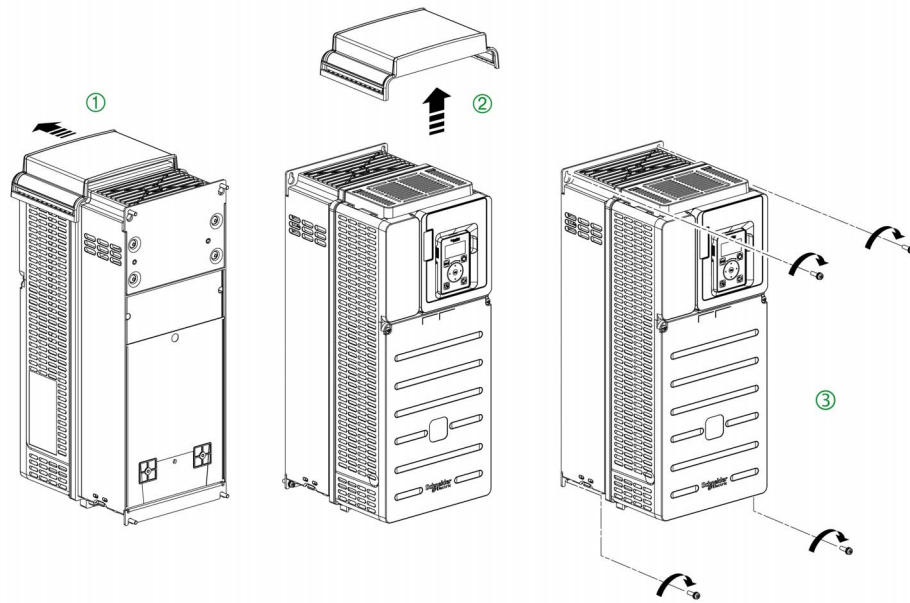


## Mounting Procedures

### Mounting Screws

Frame Size	Screw diameter	Hole diameter
1	5 mm (0.2 in)	6 mm (0.24 in)
2	5 mm (0.2 in)	6 mm (0.24 in)
3	5 mm (0.2 in)	6 mm (0.24 in)
4	6 mm (0.24 in)	7 mm (0.28 in)
5	8 mm (0.31 in)	9 mm (0.35 in)
6	10 mm (0.4 in)	11.5 mm (0.45 in)

### Mounting Procedure For Frame Sizes 1 to 4

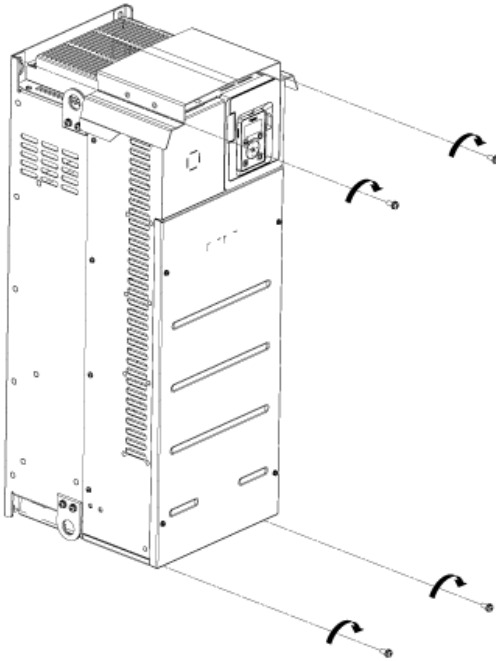


Perform the following instructions

Step	Action
1	Slide the top cover from back to front
2	Remove the top cover
3	Attach the drive to the mounting surface using the M5 screws with captive washer.
4	Refit the top cover to help prevent metal parts to fall into the drive during wiring operation or if IP20 degree of protection is requested.

### Mounting Frame Size 5 Drives

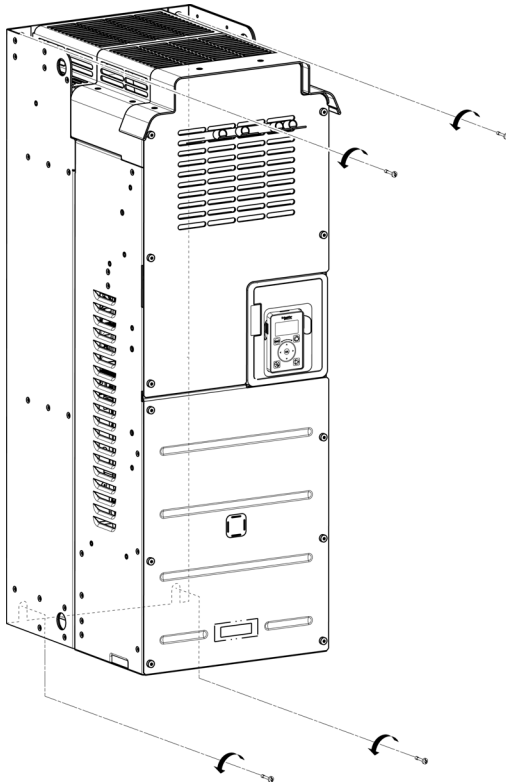
Mounting of the drive does not require any preliminary procedure. Just Screw the drive on the mounting surface using the M8 screws with captive washer.



### Mounting Procedure For Frame Size 6

**NOTE:** Due to accessible live parts on their lower part, these drives should be installed in enclosures or located behind enclosures or barriers, which comply at least with the requirements of IP2\*, as per IEC61800-5-1.

Mounting the drive does not require preliminary dismantling operation. Just screw the drive on the mounting surface using the M10 screws with captive washer.



---

# Chapter 4

## Drive wiring

---

### What Is in This Chapter?

This chapter contains the following topics:

Topic	Page
Wiring Instructions	44
Cable Length Instructions	47
Wiring Diagrams	49
Sink / Source Switch Configuration	51
Characteristics of the Power Part Terminals	52
Wiring The Power Part	54
Electromagnetic Compatibility	58
Operation on an IT or Corner Grounded System	60
Disconnecting The Built-in EMC Filter	60
Arrangement and Characteristics of Control Block Terminals and Communication and I/O Ports	63
Control Terminals Electrical Data	64
Wiring The Control Part	67

## Wiring Instructions

### General Instructions

The entire installation procedure must be performed without voltage present.

#### DANGER

##### HAZARD OF ELECTRIC SHOCK, EXPLOSION OR ARC FLASH

Read and understand the instructions in **Safety Information** chapter before performing any procedure in this chapter.

**Failure to follow these instructions will result in death or serious injury.**

Drive systems may perform unexpected movements because of incorrect wiring, incorrect settings, incorrect data or other errors.

#### WARNING

##### UNANTICIPATED EQUIPMENT OPERATION

- Carefully install the wiring in accordance with the EMC requirements.
- Do not operate the product with unknown or unsuitable settings or data.
- Perform a comprehensive commissioning test.

**Failure to follow these instructions can result in death, serious injury, or equipment damage.**

#### WARNING

##### UNANTICIPATED EQUIPMENT OPERATION

- Only start the system if there are no persons or obstructions in the zone of operation.
- Verify that a functioning emergency stop push-button is within reach of all persons involved in the operation.
- Do not operate the drive system with unknown settings or data.
- Verify that the wiring is appropriate for the settings.
- Never modify a parameter unless you fully understand the parameter and all effects of the modification.
- When commissioning, carefully run tests for all operating states, operating conditions and potential error situations.
- Anticipate movements in unintended directions or oscillation of the motor.

**Failure to follow these instructions can result in death, serious injury, or equipment damage.**

#### DANGER

##### HAZARD OF FIRE OR ELECTRIC SHOCK

- Wire cross sections and tightening torques must comply with the specifications provided in this document
- If you use stranded wire cables for a connection with a voltage higher than 25 Vac, you must use ring type cable lugs or wire ferrules, depending on the connection.

**Failure to follow these instructions will result in death or serious injury.**

The product has a leakage current greater than 3.5 mA. If the protective ground connection is interrupted, a hazardous touch current may flow if the product is touched.

#### DANGER

##### ELECTRIC SHOCK CAUSED BY HIGH LEAKAGE CURRENT

- Verify compliance with all local and national electrical code requirements as well as all other applicable regulations with respect to grounding of the entire drive system.

**Failure to follow these instructions will result in death or serious injury.**

## ⚠ WARNING

### INSUFFICIENT PROTECTION AGAINST OVERCURRENTS

- Properly rated overcurrent protective devices must be used.
- Use the fuses specified in the catalog.
- Do not connect the product to a supply mains whose short-circuit current rating (I<sub>cc</sub>) exceeds the permissible value specified in the catalog.

**Failure to follow these instructions can result in death, serious injury, or equipment damage.**

### Cable Characteristics

Only use cables with...

- rigid stranded wires for the power terminals of drives of frame sizes 1 to 5
- insulator heat resistance of 75°C (167°F) min.

If you are using cables longer than 150 m (492 ft) between the drive and the motor, add output filters (for more details refer to the catalog).

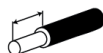
Use a shielded cable to meet the requirements of Category C2 or C3 according to the standard IEC 61800-3, except when using a sinus filter. In this case, the use of a non-shielded motor cable is possible.

To limit the currents in common mode, use common mode output filters (ferrite) in order to reduce the circulating currents in the motor windings.

Standard linear capacity cables can be used with Altivar Process. Use of cables with lower linear capacity could increase cable length performances.

The overvoltage limitation function **[Motor surge limit.] 5 u L** enables you to increase the cable length while decreasing the torque performances (refer to Programming manual). (*see page 10*)

### Power Part Cables Stripping lengths



Catalog Number and Frame Size [•]		Cable Stripping Length
		Input and Output
		mm (in.)
ATV610U07N4...U75N4	[1]	11 ± 1 (0.43 ± 0.04)
ATV610UD11N4, D15N4	[2]	11 ± 1 (0.43 ± 0.04)
ATV610D18N4, D22N4	[3]	20 ± 2 (0.79 ± 0.08)
ATV610D30N4...D45N4	[4]	26 ± 2 (1.02 ± 0.08)
ATV610D55N4...D90N4	[5]	32 ± 3 (1.26 ± 0.12)

### Control Part

## ⚠ WARNING

### UNEXPECTED EQUIPMENT OPERATION

Wire the digital and analog inputs and outputs only with the specified shielded, twisted cables.

**Failure to follow these instructions can result in death, serious injury, or equipment damage.**

- Keep the control circuits away from the power cables. For digital and analog inputs/outputs, use shielded twisted cables with a pitch of 25...50 mm (1 in. and 2 in.)
- It is advisable to use cable ends, available on [www.schneider-electric.com](http://www.schneider-electric.com).

## Residual Current Device

Direct current can be introduced in the protective ground conductor of this drive. If a residual current device (RCD / GFCI) or a residual current monitor (RCM) is used for additional protection against direct or indirect contact, the following specific types must be used.

### **WARNING**

#### **DIRECT CURRENT CAN BE INTRODUCED INTO THE PROTECTIVE GROUND CONDUCTOR**

- Use a Type A Residual Current Device (RCD / GFCI) or a Residual Current Monitor (RCM) for single-phase drives connected to a phase and to the neutral conductor.
- Use a Type B Residual Current Device (RCD / GFCI) or a Residual Current Monitor (RCM) that has approval for use with frequency inverters and is sensitive to all types of current for three-phase devices and for single-phase devices not connected to a phase and the neutral conductor.

**Failure to follow these instructions can result in death, serious injury, or equipment damage.**

Further conditions for use of a residual current device:

- The drive has an increased leakage current at the moment power is applied. Use a residual current device (RCD / GFCI) or a residual current monitor (RCM) with a response delay.
- High-frequency currents must be filtered.

Due to high leakage current in standard operation, it is advisable to choose at least a 300 mA device.

If the installation requires a residual current device less than 300 mA, it can be possible to use a device lower than 300 mA by removing the screws according to the instructions given in the Operation on an IT System section (*see page 60*).

If the installation includes several drives, provide one residual current device per drive.

## Equipment Grounding

### **NOTICE**

#### **DESTRUCTION DUE TO INCORRECT WIRING**

- Before switching on and configuring the product, verify that it is properly wired.

**Failure to follow these instructions can result in equipment damage.**

### **DANGER**

#### **ELECTRIC SHOCK CAUSED BY INSUFFICIENT GROUNDING**

- Verify compliance with all local and national electrical code requirements as well as all other applicable regulations with respect to grounding of the entire drive system.
- Ground the drive system before applying voltage.
- The cross section of the protective ground conductor must comply with the applicable standards.
- Do not use conduits as protective ground conductors; use a protective ground conductor inside the conduit.
- Do not consider cable shields to be protective ground conductors.

**Failure to follow these instructions will result in death or serious injury.**

Tighten the grounding screws according to the instructions given in the Ground Cables section (*see page 52*).

## Connection Instructions

The product has a leakage current greater than 3.5 mA. If the protective ground connection is interrupted, a hazardous touch current may flow if the product is touched.

### DANGER

#### ELECTRIC SHOCK CAUSED BY HIGH LEAKAGE CURRENT

- Verify compliance with all local and national electrical code requirements as well as all other applicable regulations with respect to grounding of the entire drive system.

**Failure to follow these instructions will result in death or serious injury.**

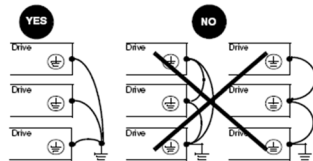
### WARNING

#### INSUFFICIENT PROTECTION AGAINST OVERCURRENTS

- Properly rated overcurrent protective devices must be used.
- Use the fuses specified in the annex provided with the drive.
- Do not connect the product to a supply mains whose short-circuit current rating (SCCR) exceeds the permissible value specified in the annex provided with the drive.

**Failure to follow these instructions can result in death, serious injury, or equipment damage.**

- Ensure that the resistance to Ground is 1 Ohm or less.
- When grounding several drives, you must connect each one directly, as shown in the above figure.
- Do not loop Ground cables or connect them in series.



## Cable Length Instructions

### Long Cable Lengths Consequences

When drives are used with motors, a combination of fast switching transistors and long motor cables can even cause peak voltages up to twice the DC link voltage. This high peak voltage can cause premature aging of motor winding insulation which leads to motor breakdown.

The overvoltage limitation function will enable to increase the cable length while decreasing the torque performances.

### Length Of Motor Cables

Because of the permitted mains disturbances, the allowed overvoltages at the motor, the occurring bearing currents and the permitted heat losses the distance between inverter and motor(s) is limited.

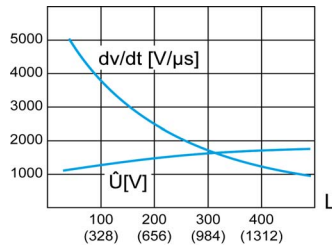
The maximum distance heavily depends on the used motors (insulation material), the type of motor cable used (shielded/unshielded), the cable laying (cable channel, underground installation...) as well as from the used options.

### Dynamic Voltage Load Of The Motor

Overvoltages at the motor terminals result from reflection in the motor cable. Basically the motors are stressed with measurable higher voltage peaks from a motor cable length of 10 m. With the length of the motor cable also the value of overvoltage increases.

The steep edges of the switching impulses at the output side of the frequency inverter lead to a further load of the motors. The slew rate of the voltage is typically over 5 kV/μs but it decreases with the length of the motor cable

Load of the motor with overvoltage and slew rate when using conventional drive



L Length of motor cables in meters (feet)

### Corrective Actions Overview

A number of simple measures can be taken to help enhance the motor life time:

- Specification of a motor designed for speed drive applications (IEC60034-25 B or NEMA MG1 Part 31 should be prescribed).
- Specification of drives that integrate voltage reflection superimposition software suppression. Refer to **[Volt surge limit. opt] 5 a P** parameter in the Programming manual (*see page 10*).
- Reduce to a minimum the distance between motor and drive.
- Use unshielded cables.
- Reduce the drive switching frequency (a reduction to 2.5 kHz is advisable.)

### Preventive Measures Suitable for Wall Mounting Drives According to IEC60034-25

The preventive measures will depend on motor characteristics and cable length.

Motor cable length (unshielded cable)	Motor conforming to IEC60034-25	Motor NOT-conforming to IEC60034-25
1 m (3 ft) < L < 50 m (164 ft)	Filter not required	dV/dt filter
50 m (164 ft) < L < 100 m (328 ft)	Filter not required	Sinus filter
100 m (328 ft) < L < 300 m (984 ft)	Filter not required	Sinus filter
300 m (984 ft) < L < 500 m (1640 ft)	dV/dt filter	Sinus filter
500 m (1640 ft) < L < 1000 m (3281 ft)	Sinus filter	Sinus filter

**NOTE:** When calculating cable lengths for the purpose of guarding against these overvoltage situations, a shielded cable should count as twice the length of an unshielded cable. For example, if a shielded cable is 100 m (328 ft) in actual length, it should be considered to be equal to a 200 m (656 ft) length standard cable in the calculation.

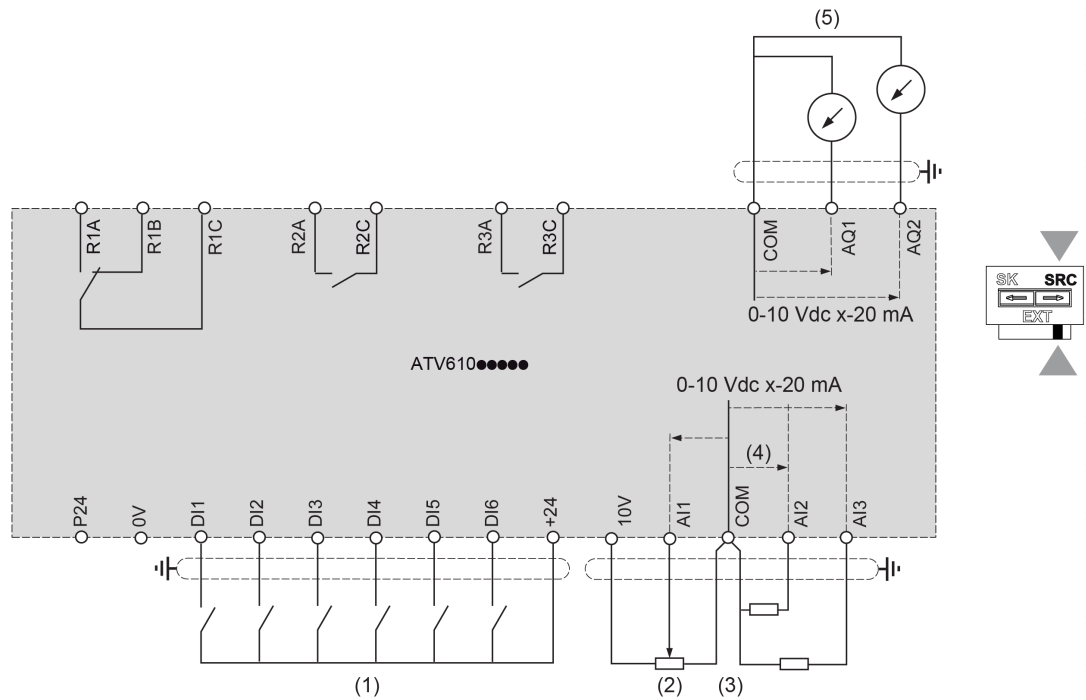
### Additional Information

Further detailed technical information is available in the following white paper *An Improved Approach for Connecting VSD and Electric Motors* ([998-2095-10-17-13AR0 EN](#)) available on [www.schneider-electric.com](http://www.schneider-electric.com).



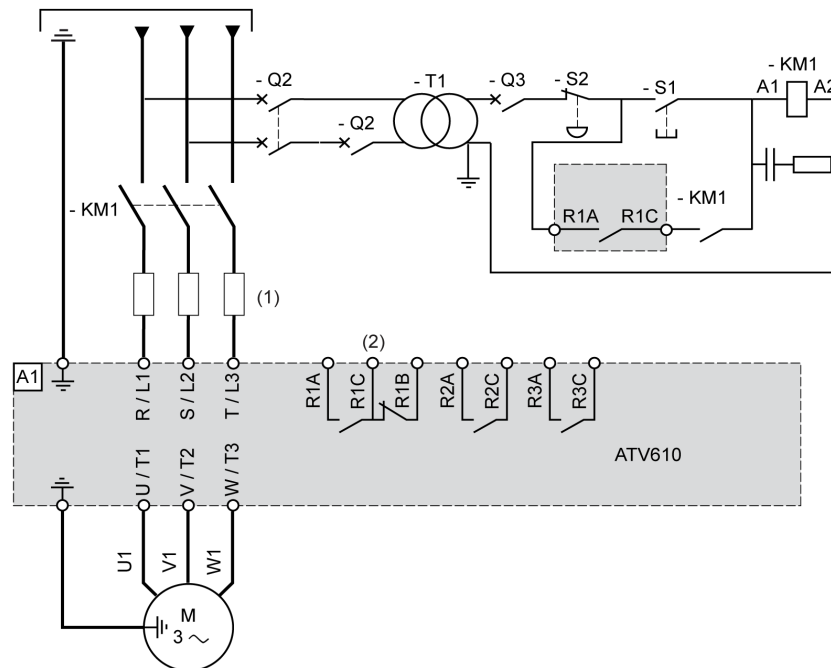
## Wiring Diagrams

### Control Block Wiring Diagram



- (1) Digital Inputs - Shielding instructions are given in the Electromagnetic Compatibility section ([see page 58](#)).
- (2) Reference potentiometer (ex. SZ1RV1002)
- (3) Analog inputs
- (4) -10...10 Vdc
- (5) Analog outputs

### Three-phase Power Supply - Diagram With Line Contactor



- (1) Line choke (if used).
- (2) Use relay output R1 set to operating state Fault to switch Off the product once an error is detected.

### Three-phase Power Supply - Diagram With Downstream Contactor

If a Run command is executed while the downstream contactor between the drive and the motor is still open, there may be residual voltage at the output of the drive. This can cause an incorrect estimation of the motor speed when the contacts of the downstream contactor are closed. This incorrect estimation of the motor speed can lead to unanticipated equipment operation or to equipment damage.

In addition, there may be overvoltage at the output of the drive if the power stage is still enabled when the downstream contactor between the drive and the motor opens.

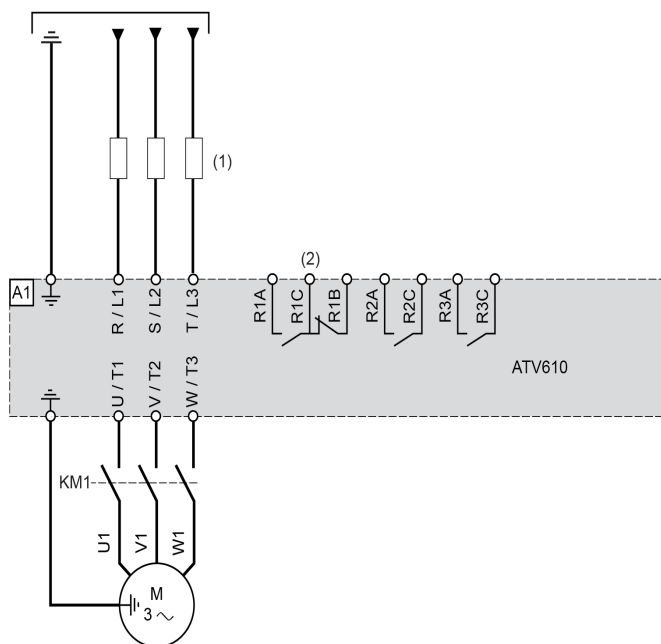
## ⚠ WARNING

### UNANTICIPATED EQUIPMENT OPERATION OR EQUIPMENT DAMAGE

If a downstream contactor is used between the drive and the motor, verify the following:

- The contacts between the motor and the drive must be closed before a Run command is executed.
- The power stage must not be enabled when the contacts between the motor and the drive open.

**Failure to follow these instructions can result in death, serious injury, or equipment damage.**

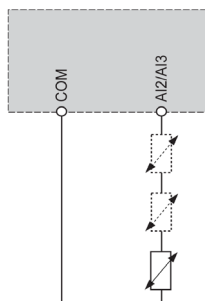


(1) Line choke (if used)

(2) Use relay output R1 set to operating state Fault to switch Off the product once an error is detected.

### Sensor Connection

It is possible to connect either 1 or 3 sensors on terminals AI2/AI3.



## Sink / Source Switch Configuration

### ⚠ WARNING

#### UNANTICIPATED EQUIPMENT OPERATION

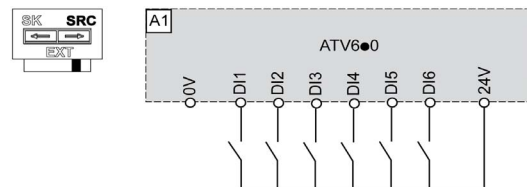
- If the drive is set to **SK** or **EXT**, do not connect the **0 V** terminal to ground or to protective ground.
- Verify that accidental grounding of digital inputs configured for sink logic, caused, for example, by damage to the signal cables, cannot occur.
- Follow all applicable standards and directives such as NFPA 79 and EN 60204 for proper control circuit grounding practices.

**Failure to follow these instructions can result in death, serious injury, or equipment damage.**

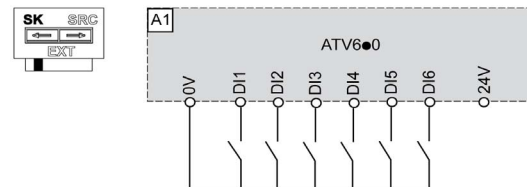
The switch is used to adapt the operation of the logic inputs to the technology of the programmable controller outputs. To access the switch, follow the Access to control Terminals procedure (*see page 67*). The switch is located below the control terminals (*see page 63*).

- Set the switch to Source (factory setting) if using PLC outputs with PNP transistors.
- Set the switch to Ext if using PLC outputs with NPN transistors.

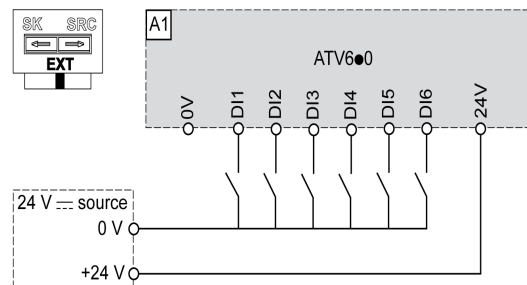
### Switch Set to SRC (Source) Position Using the Output Power Supply for the Digital Inputs



### Switch Set to SK (Sink) Position Using the Output Power Supply for the Digital Inputs



### Switch Set to EXT Position Using an External Power Supply for the DIs



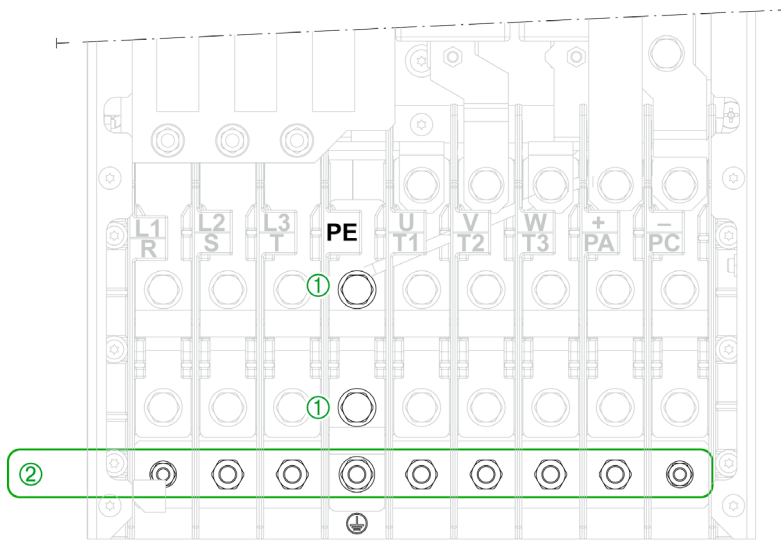
## Characteristics of the Power Part Terminals

### Ground Cables

Ground cable cross sections of input and output ground cables are the same as those given for the input and output cables. Minimum cross section of protective ground cable is 10 mm<sup>2</sup> (AWG 8) and 16 mm<sup>2</sup> (AWG 6) for AL cable.

Tightening torques according to frame size

- Frame sizes 1...3: 2.5 N·m (22.1 lb.in)
- Frame size 4: 12 N·m (106.2 lb.in)
- Frame size 5: 25 N·m (221.3 lb.in)
- Frame size 6:
  - ①: 27 N·m (239 lb.in)
  - ②: 13.5 N·m (119.5 lb.in)



### Frame Size 1

ATV610	Supply Terminals (L1, L2, L3)			Output Terminals (U, V, W)		
	Wire Cross Section		Tightening Torque	Wire Cross Section		Tightening Torque
	Minimum	Maximum (*)	Rated	Minimum	Maximum (*)	Rated
	mm <sup>2</sup> (AWG)	mm <sup>2</sup> (AWG)	N·m (lb.in)	mm <sup>2</sup> (AWG)	mm <sup>2</sup> (AWG)	N·m (lb.in)
U07N4 to U55N4	1.5 (16)	6 (10)	1.3 (11.5)	1.5 (16)	6 (10)	1.3 (11.5)
U75N4	2.5 (14)	6 (10)	1.3 (11.5)	2.5 (14)	6 (10)	1.3 (11.5)

Only use single conductor cables with rigid stranded wires.  
(\*) Maximum cross section of the terminals

### Frame Size 2

ATV610	Supply Terminals (L1, L2, L3)			Output Terminals (U, V, W)		
	Wire Cross Section		Tightening Torque	Wire Cross Section		Tightening Torque
	Minimum	Maximum (*)	Rated	Minimum	Maximum (*)	Rated
	mm <sup>2</sup> (AWG)	mm <sup>2</sup> (AWG)	N·m (lb.in)	mm <sup>2</sup> (AWG)	mm <sup>2</sup> (AWG)	N·m (lb.in)
D11N4	4 (12)	10 (8)	1.5 (13.3)	4 (12)	10 (8)	1.5 (13.3)
D15N4	6 (10)	10 (8)	1.5 (13.3)	6 (10)	10 (8)	1.5 (13.3)

Only use single conductor cables with rigid stranded wires.  
(\*) Maximum cross section of the terminals

### Frame Size 3

ATV610	Supply Terminals (L1, L2, L3)			Output Terminals (U, V, W)		
	Wire Cross Section		Tightening Torque	Wire Cross Section		Tightening Torque
	Minimum	Maximum (*)	Rated	Minimum	Maximum (*)	Rated
	mm <sup>2</sup> (AWG)	mm <sup>2</sup> (AWG)	N·m (lb.in)	mm <sup>2</sup> (AWG)	mm <sup>2</sup> (AWG)	N·m (lb.in)
D18N4, D22N4	10 (8)	16 (6)	2.5 (22.1)	10 (8)	16 (6)	2.5 (22.1)
Only use single conductor cables with rigid stranded wires. (* ) Maximum cross section of the terminals						

### Frame Size 4

ATV610	Supply Terminals (L1, L2, L3)			Output Terminals (U, V, W)		
	Wire Cross Section		Tightening Torque	Wire Cross Section		Tightening Torque
	Minimum	Maximum (*)	Rated	Minimum	Maximum (*)	Rated
	mm <sup>2</sup> (AWG)	mm <sup>2</sup> (AWG)	N·m (lb.in)	mm <sup>2</sup> (AWG)	mm <sup>2</sup> (AWG)	N·m (lb.in)
D30N4	16 (6)	50 (1-1/0)	12 (106.2)	16 (6)	50 (1-1/0)	12 (106.2)
D37N4	25 (4)	50 (1-1/0)	12 (106.2)	25 (4)	50 (1-1/0)	12 (106.2)
D45N4	35 (2)	50 (1-1/0)	12 (106.2)	35 (2)	50 (1-1/0)	12 (106.2)
Only use single conductor cables with rigid stranded wires. (* ) Maximum cross section of the terminals						

### Frame Size 5

ATV610	Supply Terminals (L1, L2, L3)			Output Terminals (U, V, W)		
	Wire Cross Section		Tightening Torque	Wire Cross Section		Tightening Torque
	Minimum	Maximum (*)	Rated	Minimum	Maximum (*)	Rated
	mm <sup>2</sup> (AWG)	mm <sup>2</sup> (AWG)	N·m (lb.in)	mm <sup>2</sup> (AWG)	mm <sup>2</sup> (AWG)	N·m (lb.in)
D55N4	50 (1-1/0)	120 (4/0)	25 (221.3)	50 (1-1/0)	120 (4/0)	25 (221.3)
D75N4	70 (2/0)	120 (4/0)	25 (221.3)	70 (2/0)	120 (4/0)	25 (221.3)
D90N4	95 (3/0)	120 (4/0)	25 (221.3)	95 (3/0)	120 (4/0)	25 (221.3)
Only use single conductor cables with rigid stranded wires. (* ) Maximum cross section of the terminals						

### Frame Size 6

#### NOTE:

- If used with ring tongue: selection criteria are compatible with screw M10, width 24 mm (0.94 in.), following DIN 46234.
- If used with lugs: selection criteria are compatible with standard cable lug according to DIN 46234. You may also use lug kit DZ2FH6 and DZ2FH1 available on [schneider-electric.com](http://schneider-electric.com)

ATV610	Supply Terminals (L1, L2, L3)			Output Terminals (U, V, W)		
	Wire Cross Section		Tightening Torque	Wire Cross Section		Tightening Torque
	Minimum	Maximum (*)	Rated	Minimum	Maximum (*)	Rated
	mm <sup>2</sup>	mm <sup>2</sup>	N·m	mm <sup>2</sup>	mm <sup>2</sup>	N·m
C11N4	2 x 50	3 x 120	27	2 x 50	3 x 120	27
C13N4	2 x 70	3 x 120	27	2 x 70	3 x 120	27
C16N4	2 x 95	3 x 120	27	2 x 95	3 x 120	27
(* ) Maximum cross section of the terminals						

## Wiring The Power Part

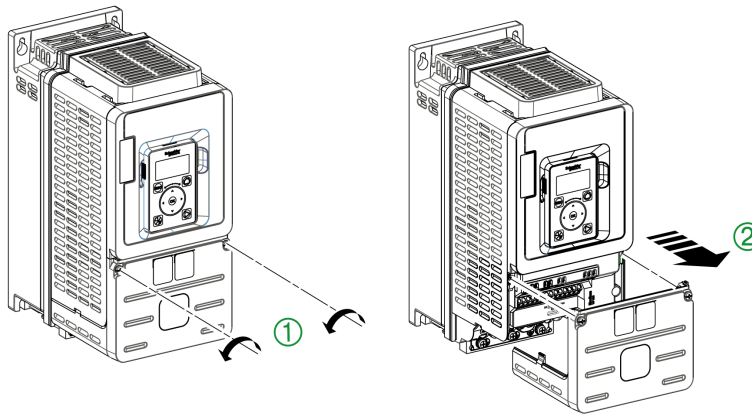
### Access To The Terminals For Frame Size 1...3

# ⚡ ⚠ DANGER

## HAZARD OF ELECTRIC SHOCK, EXPLOSION OR ARC FLASH

Read and understand the instructions in **Safety Information** chapter before performing any procedure in this chapter.

**Failure to follow these instructions will result in death or serious injury.**

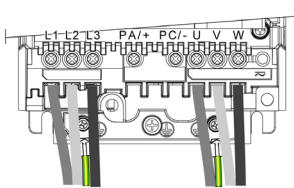


Apply the following instructions to access the terminals on **frame size 3** drives

Step	Action
1	Unscrew the 2 screws attaching the housing
2	Remove the front cover
3	Refit the front cover on completion of wiring. Tighten the screws to 1.5 N•m / 13.3 lb-in.

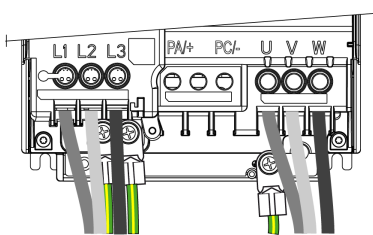
### Frame Sizes 1 and 2 Cable Path

Wire the power cables as shown below.



### Frame Size 3 Cable Path

Wire the power cables as shown below.



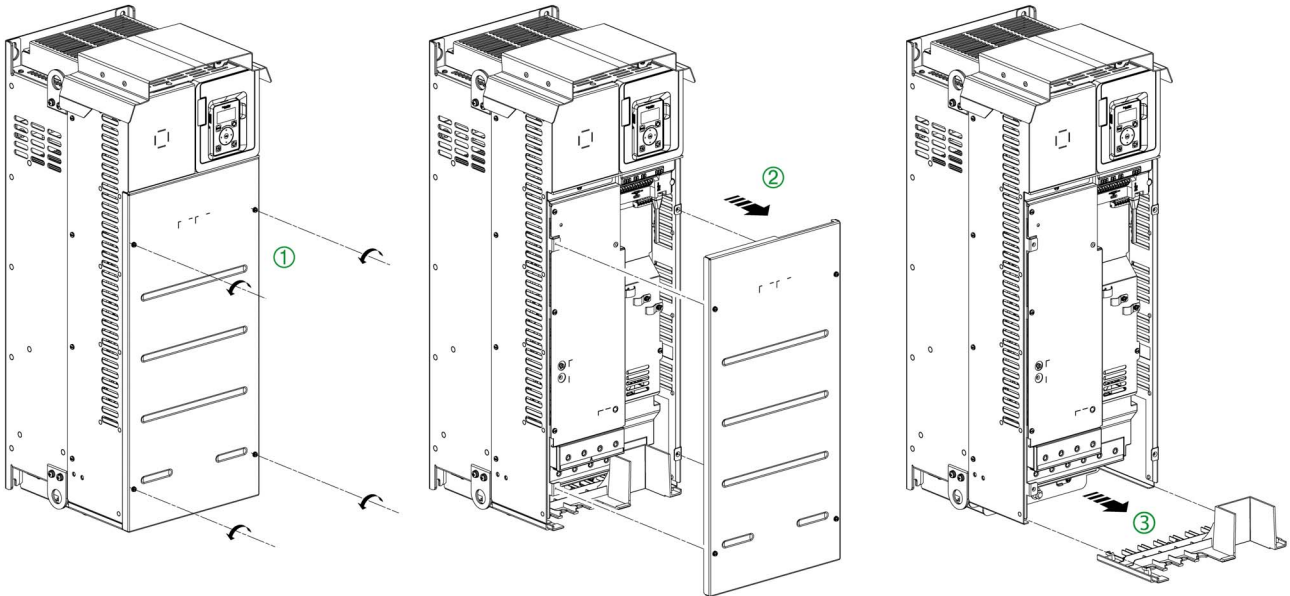
## Access To The Terminals For Frame Sizes 4 and 5

### **⚠️ ⚠️ DANGER**

#### HAZARD OF ELECTRIC SHOCK, EXPLOSION OR ARC FLASH

Read and understand the instructions in **Safety Information** chapter before performing any procedure in this chapter.

**Failure to follow these instructions will result in death or serious injury.**

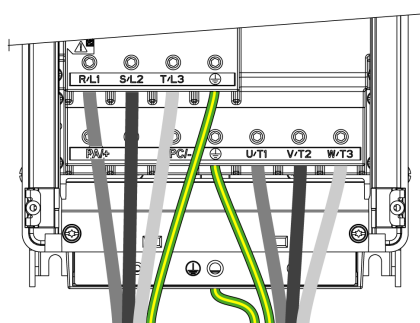


Apply the following instructions to the terminals on **frame sizes 4 and 5** drives

Step	Action
1	Unscrew the 4 screws attaching the front cover
2	Remove the front cover
3	Remove the power terminal cover
4	<p>On completion of wiring...</p> <ul style="list-style-type: none"> <li>● Refit the power terminal cover</li> <li>● Refit the front cover</li> </ul> <p>Tighten the front cover screws to...</p> <ul style="list-style-type: none"> <li>● 1.1 N•m / 9.7 lb-in for frame size 4</li> <li>● 2.6 N•m / 23 lb-in for frame size 5</li> </ul>

## Frame Size 4 And 5 Cable Path

Wire the power cables as shown below.



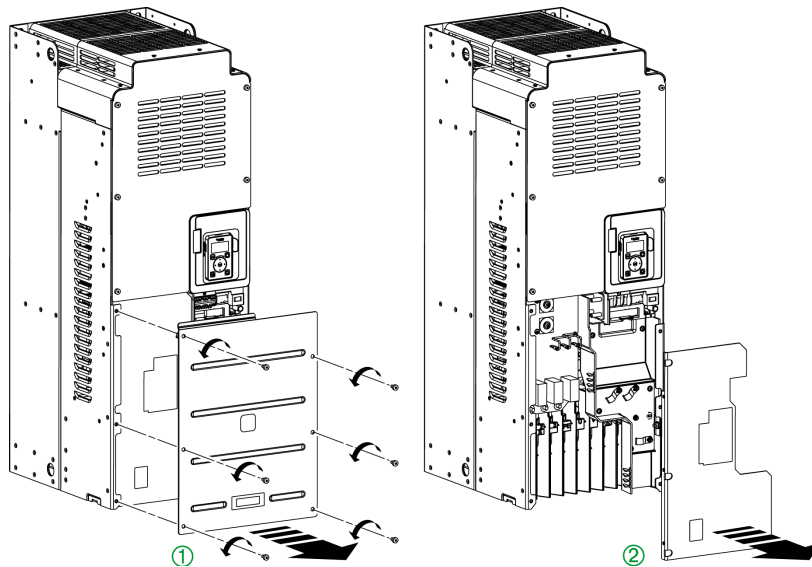
## Access To The Terminals - Frame Size 6

### **⚠ ⚠ DANGER**

#### **HAZARD OF ELECTRIC SHOCK, EXPLOSION OR ARC FLASH**

Read and understand the instructions in **Safety Information** chapter before performing any procedure in this chapter.

**Failure to follow these instructions will result in death or serious injury.**



Apply the following instructions to access the terminals on **frame size 6** drives

Step	Action
1	Unscrew the 6 screws attaching the bottom front cover and remove it
2	Remove the terminal cover
3	Refit the front cover on completion of wiring. Tighten the screws to 3.3 N•m / 29.3 lb-in.



## Frame Size 6 Cable Path

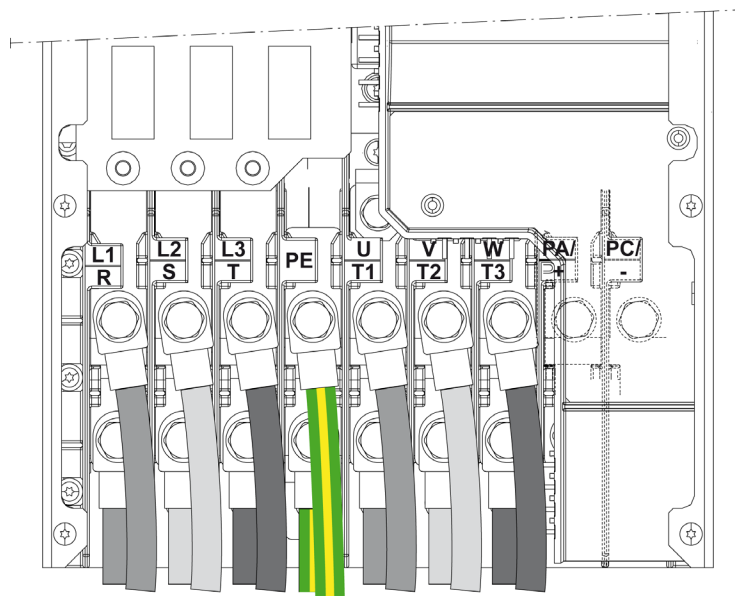
**NOTE:** Due to accessible live parts on their lower part, these drives should be installed in enclosures or located behind enclosures or barriers, which comply at least with the requirements of IP2•, as per IEC61800-5-1.

Use 1 or 2 connection cables per terminal, depending on the cable characteristics. Refer to standard IEC 60364-5-52 for cable selection. Permissible cable cross sections are given in

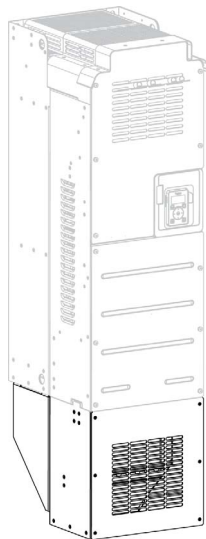
For 2 connection cable wiring:

Step	Action
1	Connect the first cable on the lower terminal
2	Connect the other cable on the upper terminal

For 2 cable connection, wire the power cables as shown below.



**NOTE:** A conduit box is available as an option. It enables an IP21 degree of protection at the bottom side of the drive. See [www.schneider-electric.com](http://www.schneider-electric.com)



## Electromagnetic Compatibility

### Limit Values

This product meets the EMC requirements according to the standard IEC 61800-3 if the measures described in this manual are implemented during installation. If the selected composition (product itself, mains filter, other accessories and measures) does not meet the requirements of category C1, the following information applies as it appears in IEC 61800-3:

<b>⚠ WARNING</b>
<b>RADIO INTERFERENCE</b>
In a domestic environment this product may cause radio interference in which case supplementary mitigation measures may be required.
<b>Failure to follow these instructions can result in death, serious injury, or equipment damage.</b>

### EMC requirements for the control cabinet

EMC measures	Objective
Use mounting plates with good electrical conductivity, connect large surface areas of metal parts, remove paint from contact areas.	Good conductivity due to large surface contact.
Ground the control cabinet, the control cabinet door and the mounting plate with ground straps or ground wires. The conductor cross section must be at least 10 mm <sup>2</sup> (AWG 8).	Reduces emissions.
Fit switching devices such as power contactors, relays or solenoid valves with interference suppression units or arc suppressors (for example, diodes, varistors, RC circuits).	Reduces mutual interference.
Install power components and control components separately.	
Install frame size 1 and 2 drives on grounded metal back plane.	Reduces emissions.

### Shielded cables

EMC measures	Objective
Connect large surface areas of cable shields, use cable clamps and ground straps.	Reduces emissions.
Use cable clamps to connect a large surface area of the shields of all shielded cables to the mounting plate at the control cabinet entry.	
Ground shields of digital signal wires ( <i>see page 49</i> ) at both ends by connecting them to a large surface area or via conductive connector housings	Reduces interference affecting the signal wires, reduces emissions
Ground the shields of analog signal wires directly at the device (signal input); insulate the shield at the other cable end or ground it via a capacitor (for example, 10 nF, 100 V or higher).	Reduces ground loops due to low-frequency interference.
Use only shielded motor cables with copper braid and a coverage of at least 85%, ground a large surface area of the shield at both ends.	Diverts interference currents in a controlled way, reduces emissions.

## Cable Installation

EMC measures	Objective
Do not route fieldbus cables and signal wires in a single cable duct together with lines with DC and AC voltages of more than 60 V. (Fieldbus cables, signal lines and analog lines may be in the same cable duct) Recommendation: Use separate cable ducts at least 20 cm (8 in.) apart.	Reduces mutual interference.
Keep cables as short as possible. Do not install unnecessary cable loops, use short cables from the central grounding point in the control cabinet to the external ground connection.	Reduces capacitive and inductive interference.
Use equipotential bonding conductors in the following cases: wide-area installations, different voltage supplies and installation across several buildings.	Reduces current in the cable shield, reduces emissions.
Use fine stranded equipotential bonding conductors.	Diverts high-frequency interference currents
If motor and machine are not conductively connected, for example by an insulated flange or a connection without surface contact, you must ground the motor with a ground strap or a ground wire. The conductor cross section must be at least 10 mm <sup>2</sup> (AWG 8).	Reduces emissions, increases immunity.
Use twisted pair for the DC supply. For digital and analog inputs use shielded twisted cables with a pitch of between 25...50 mm (1...2 in).	Reduces interference affecting the signal cables, reduces emissions.

## Power Supply

EMC measures	Objective
Operate product on mains with grounded neutral point.	Enables effectiveness of mains filter.
Surge arrester if there is a risk of overvoltage.	Reduces the risk of damage caused by overvoltage.

## Additional measures for EMC improvement

Depending on the application, the following measures can improve the EMC-dependent values:

EMC measures	Objective
Use mains chokes	Reduces mains harmonics, prolongs product service life.
Use external mains filters	Improves the EMC limit values.
Additional EMC measures, for example mounting in a closed control cabinet with 15 dB shielding attenuation of radiated interference	

**NOTE:** If using an additional input filter, it should be mounted as close as possible to the drive and connected directly to the supply mains via an unshielded cable.

## Operation on an IT or Corner Grounded System

### Definition

**IT system:** Isolated or impedance grounded neutral. Use a permanent insulation monitoring device compatible with nonlinear loads, such as an XM200 type or equivalent.

**Corner grounded system:** System with one phase grounded.

### Operation

## NOTICE

### OVERVOLTAGE

If the drive is operated via an IT or corner grounded system, the integrated EMC filter must be disconnected as described in the present manual.

**Failure to follow these instructions can result in equipment damage.**

## Disconnecting The Built-in EMC Filter

### Filter Disconnection

## ⚡ ⚠ DANGER

### HAZARD OF ELECTRIC SHOCK, EXPLOSION OR ARC FLASH





Read and understand the instructions in **Safety Information** chapter before performing any procedure in this chapter.

**Failure to follow these instructions will result in death or serious injury.**

The drives have a built-in EMC filter. As a result they exhibit leakage current to ground. If the leakage current creates compatibility problems with your installation (residual current device or other), then you can reduce the leakage current by disconnecting the built-in filter as shown below. In this configuration the product does not meet the EMC requirements according to the standard IEC 61800-3.

### Setting

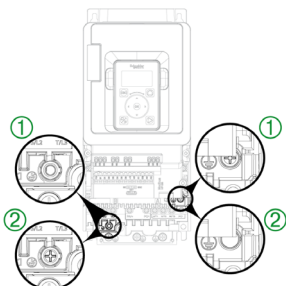
Apply the following instructions to disconnect the built-in EMC filter.

Step	Action
1	Remove the front cover(s) ( <i>see page 54</i> )
2	The screw(s) or switch is/are factory set to the  position, as shown on detail 
3	For operation without the built-in EMC filter, remove the screw(s) from its/ their location or move the switch from its position and set it/them to the  position, as shown on detail 
4	Refit the front cover(s)

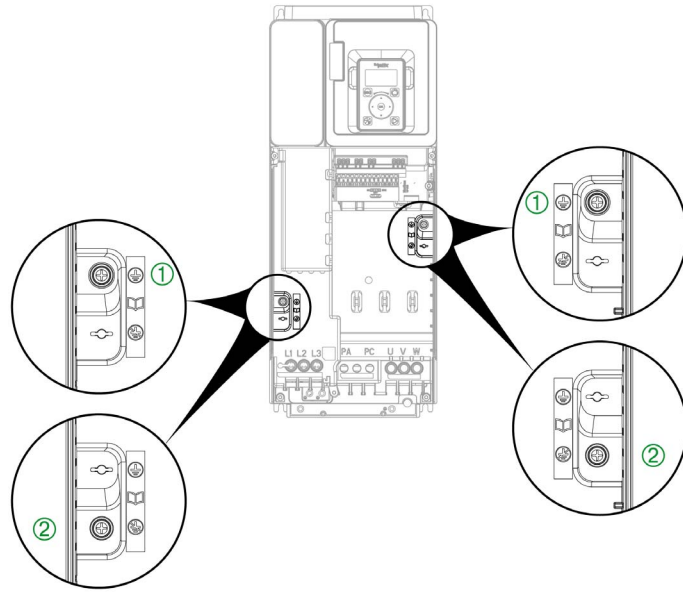
### NOTE:

- Use only the screw(s) supplied.
- Do not operate the drive with setting screw(s) removed.

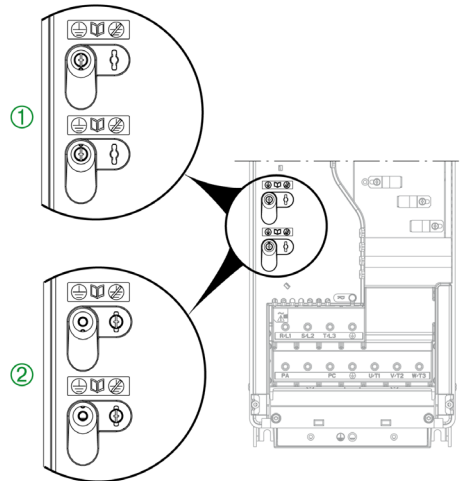
### Setting For Frame Size 1 Products



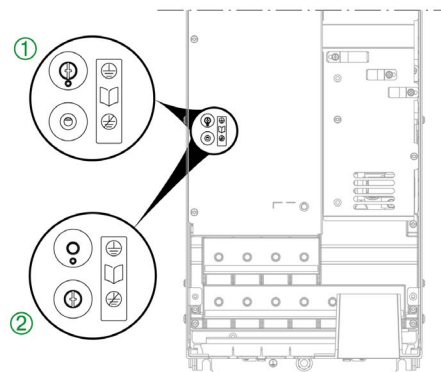
### Setting For Frame Size 3 Products



### Setting For Frame Size 4 Products

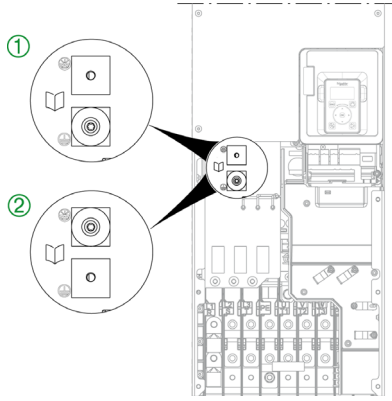


### Setting For Frame Size 5 Products



---

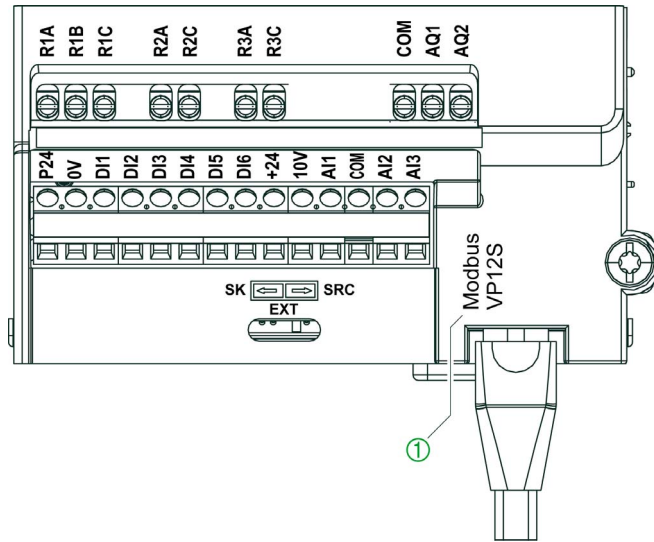
## Setting For Frame Size 6 Products



## Arrangement and Characteristics of Control Block Terminals and Communication and I/O Ports

### Terminal Arrangement

The control block terminals are the same for all drive frame sizes.



① Modbus VP12S: This is the standard Modbus serial link marking. VP•S means connector with power supply, where 12 stands for the 12 Vdc supply voltage.

### Wiring Characteristics

**NOTE:** Control terminals can accept 1 or 2 wires.

Wire cross sections and tightening torques

Control Terminals	Relay Output Wire Cross Section		Other Wire Cross Section		Tightening Torque
	Minimum (1)	Maximum	Minimum (1)	Maximum	
	mm <sup>2</sup> (AWG)	mm <sup>2</sup> (AWG)	mm <sup>2</sup> (AWG)	mm <sup>2</sup> (AWG)	
All terminals	0.75 (18)	1.5 (16)	0.5 (20)	1.5 (16)	0.5 (4.4)

(1) The value corresponds to the minimum permissible cross section of the terminal.

**NOTE:** Also refer to Control Terminal Electrical data ([see page 64](#)).

### RJ45 Communication port

It is used to connect a:

- Remote graphic display terminal, using a Modbus serial line
- Modbus network
- Configuration loader...

**NOTE:** Check that RJ45 cable is not damaged prior to connect it to the product otherwise the power supply of the control could be lost.

## Control Terminals Electrical Data

### Characteristics of Terminals

**NOTE:**

- For a description of the terminal arrangement, refer to Arrangement and Characteristics of Control Terminals and Communication And I/O Ports (*see page 63*)
- For factory setting I/O assignment, refer to the Programming Manual.

Terminal	Description	I/O Type	Electrical characteristics
R1A	NO contact of relay R1	O	<b>Output Relay 1</b> <ul style="list-style-type: none"> <li>• Minimum switching capacity: 5 mA for 24 Vdc</li> <li>• Maximum switching current on resistive load: (<math>\cos \varphi = 1</math>): 3 A for 250 Vac (OVC II) and 30 Vdc</li> <li>• Maximum switching current on inductive load: (<math>\cos \varphi = 0.4</math> and <math>L/R = 7</math> ms): 2 A for 250 Vac (OVC II) and 30 Vdc</li> <li>• Refresh time: 5 ms +/- 0.5 ms</li> <li>• Service life: 100,000 operations at maximum switching current</li> </ul>
R1B	NC contact of relay R1	O	
R1C	Common point contact of relay R1	O	
R2A	NO contact of relay R2	O	<b>Output Relay 2</b> <ul style="list-style-type: none"> <li>• Minimum switching capacity: 5 mA for 24 Vdc</li> <li>• Maximum switching current on resistive load: (<math>\cos \varphi = 1</math>): 3 A for 250 Vac and 30 Vdc</li> <li>• Maximum switching current on inductive load: (<math>\cos \varphi = 0.4</math> and <math>L/R = 7</math> ms): 2 A for 250 Vac and 30 Vdc</li> <li>• Refresh time: 5 ms +/- 0.5 ms</li> <li>• Service life: 100,000 operations at maximum switching power</li> </ul>
R2C	Common point contact of relay R2	O	
R3A	NO contact of relay R3	O	<b>Output Relay 3</b> <ul style="list-style-type: none"> <li>• Minimum switching capacity: 5 mA for 24 Vdc</li> <li>• Maximum switching current on resistive load: (<math>\cos \varphi = 1</math>): 3 A for 250 Vac and 30 Vdc</li> <li>• Maximum switching current on inductive load: (<math>\cos \varphi = 0.4</math> and <math>L/R = 7</math> ms): 2 A for 250 Vac and 30 Vdc</li> <li>• Refresh time: 5 ms +/- 0.5 ms</li> <li>• Service life: 100,000 operations at maximum switching power</li> </ul>
R3C	Common point contact of relay R3	O	
24V	Output supply for digital inputs	O	<ul style="list-style-type: none"> <li>• +24 Vdc</li> <li>• Tolerance: minimum 20.4 Vdc, maximum 27 Vdc</li> <li>• Current: maximum 200 mA for both 24 Vdc terminals</li> <li>• Terminal protected against overload and short-circuit</li> <li>• In Sink Ext position, this supply is powered by external PLC supply</li> </ul>
COM	Analog I/O common	I/O	0 V for Analog outputs
AQ1	Analog output	O	<b>AQ: Analog output software-configurable for voltage or current</b> <ul style="list-style-type: none"> <li>• Voltage analog output 0...10 Vdc, minimum. Minimum load impedance 470 <math>\Omega</math>,</li> <li>• Current analog output X-Y mA by programming X and Y from 0...20 mA, maximum load impedance 500 <math>\Omega</math></li> <li>• Sampling time 10 ms + 1 ms</li> <li>• Resolution 10 bits</li> <li>• Accuracy: <math>\pm 1\%</math> for a temperature variation of 60°C (140°F)</li> <li>• Linearity <math>\pm 0.2\%</math></li> </ul>
AQ2	Analog output	O	
P24	External input supply	I	<b>External input supply +24 Vdc</b> <ul style="list-style-type: none"> <li>• Tolerance: minimum 19 Vdc, maximum 30 Vdc</li> <li>• Current: maximum 0.8 A</li> </ul>
0V	0 V	I/O	0 V for P24



Terminal	Description	I/O Type	Electrical characteristics
DI1-DI6	Digital inputs	I	<p>6 programmable logic inputs 24 Vdc, comply with IEC/EN 61131-2 logic type 1</p> <ul style="list-style-type: none"> <li>● Positive logic (Source): State 0 if <math>\leq 5</math> Vdc or logic input not wired, state 1 if <math>\geq 11</math> Vdc</li> <li>● Negative logic (Sink): State 0 if <math>\geq 16</math> Vdc or logic input not wired, state 1 if <math>\leq 10</math> Vdc</li> <li>● Impedance 3.5 k<math>\Omega</math></li> <li>● Maximum voltage: 30 Vdc</li> <li>● Sampling time: 2 ms + 0.5 ms maximum</li> </ul> <p>Multiple assignment makes it possible to configure several functions on one input (example: DI1 assigned to forward and preset speed 2, DI3 assigned to reverse and preset speed 3).</p>
DI5-DI6	Pulse inputs	I	<p>Programmable Pulse input</p> <ul style="list-style-type: none"> <li>● Comply with level 1 PLC, IEC 65A-68 standard</li> <li>● State 0 if <math>&lt; 0.6</math> Vdc, state 1 if <math>&gt; 2.5</math> Vdc</li> <li>● Pulse counter 0...30 kHz</li> <li>● Frequency range: 0...30 kHz</li> <li>● Cyclic ratio: 50 % <math>\pm</math> 10 %</li> <li>● Maximum input voltage 30 Vdc, <math>&lt; 10</math> mA</li> <li>● Sampling time: 5 ms + 1 ms maximum</li> </ul>
10V	Output supply for Analog input	O	<p>Internal supply for the analog inputs</p> <ul style="list-style-type: none"> <li>● 10.5 Vdc</li> <li>● Tolerance <math>\pm 5\%</math></li> <li>● Current: maximum 10 mA</li> <li>● Short circuit protected</li> </ul>
AI1-AI2-AI3	Analog inputs	I	<p>Software-configurable V/A : voltage or current analog input</p> <ul style="list-style-type: none"> <li>● Voltage analog input 0...10 Vdc, impedance 30 k<math>\Omega</math>,</li> <li>● Current analog input X-Y mA by programming X and Y from 0...20 mA, with impedance 250 <math>\Omega</math></li> <li>● Sampling time: 5 ms + 1 ms maximum</li> <li>● Resolution 12 bits</li> <li>● Accuracy: <math>\pm 0.6\%</math> for a temperature variation of 60°C (140°F)</li> <li>● Linearity <math>\pm 0.15\%</math> of maximum value</li> </ul>
COM	Analog I/O common	I/O	0 V for Analog inputs

Terminal	Description	I/O Type	Electrical characteristics
AI2-AI3	Sensor inputs	I	<p>Software-configurable PT100/PT1000 or KTY84 or PTC or Water level sensor</p> <ul style="list-style-type: none"> <li>● <b>PT100</b> <ul style="list-style-type: none"> <li>○ 1 or 3 thermal sensors mounted in series (configurable by software)</li> <li>○ Sensor current: 5 mA</li> <li>○ Range -20...200°C (-4...392°F)</li> <li>○ Accuracy +/- 4°C (39°F) for a temperature variation of 60°C (140°F)</li> </ul> </li> <li>● <b>PT1000</b> <ul style="list-style-type: none"> <li>○ 1 or 3 thermal sensors mounted in series (configurable by software)</li> <li>○ Thermal sensor current: 1 mA</li> <li>○ Range -20...200°C (-4...392°F)</li> <li>○ Accuracy +/- 4°C (39°F) for a temperature variation of 60°C (140°F)</li> </ul> </li> <li>● <b>PTC</b> <ul style="list-style-type: none"> <li>○ 6 sensors maximum mounted in series</li> <li>○ Sensor current: 1 mA</li> <li>○ Nominal value: &lt; 1.5 kΩ</li> <li>○ Overheat trigger threshold: 2.9 kΩ ± 0.2 kΩ</li> <li>○ Overheat reset threshold: 1.575 kΩ ± 0.75 kΩ</li> <li>○ Low impedance detection threshold: 50 Ω -10 Ω/+20 Ω</li> </ul> </li> <li>● <b>KTY84</b> <ul style="list-style-type: none"> <li>○ 1 thermal sensor</li> <li>○ Thermal sensor current: 1 mA</li> <li>○ Range -20...200°C (-4...392°F)</li> <li>○ Accuracy +/- 4°C (39°F) for a temperature variation of 60°C (140°F)</li> </ul> </li> <li>● <b>Water Level Sensor</b> <ul style="list-style-type: none"> <li>○ Sensitivity: 0...1 MΩ, adjustable by software</li> <li>○ Water level sensor current: 0.3 mA...1 mA maximum</li> <li>○ Adjustable delay: 0...10 s</li> </ul> </li> </ul>

## Wiring The Control Part

### Preliminary Steps

**⚡ ⚠ DANGER**

**HAZARD OF ELECTRIC SHOCK, EXPLOSION OR ARC FLASH**

Read and understand the instructions in **Safety Information** chapter before performing any procedure in this chapter.

**Failure to follow these instructions will result in death or serious injury.**

**⚠ WARNING**

**UNINTENDED BEHAVIOR OF INPUTS AND OUTPUTS**

The functions of the inputs and outputs depend on the selected operating mode and the settings of the corresponding parameters.

- Verify that the wiring is appropriate for the settings.
- Only start the system if there are no persons or obstructions in the hazardous area.
- When commissioning, carefully run tests for all operating states and potential error situations.

**Failure to follow these instructions can result in death, serious injury, or equipment damage.**

### Access to the Terminals

**⚡ ⚠ DANGER**

**HAZARD OF ELECTRIC SHOCK, EXPLOSION OR ARC FLASH**

Read and understand the instructions in **Safety Information** chapter before performing any procedure in this chapter.

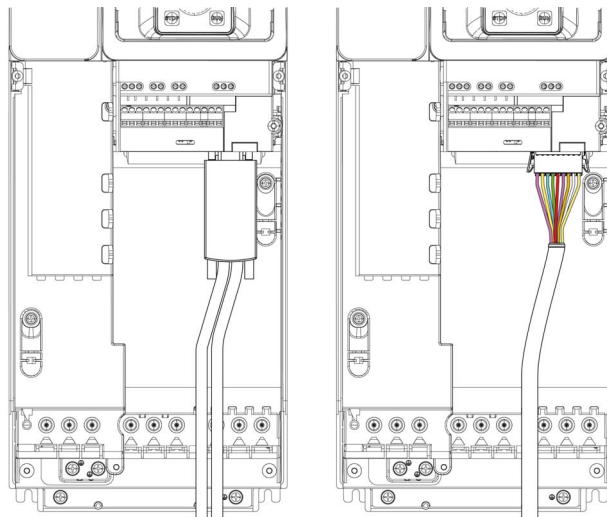
**Failure to follow these instructions will result in death or serious injury.**

To access the control terminals, refer to the procedure described in the Wiring the Power Part chapter (*see page 54*).

### Optional Module Installation and Wiring

To help ensure correct wiring of the control part, apply the following instructions to install and connect a module to be wired

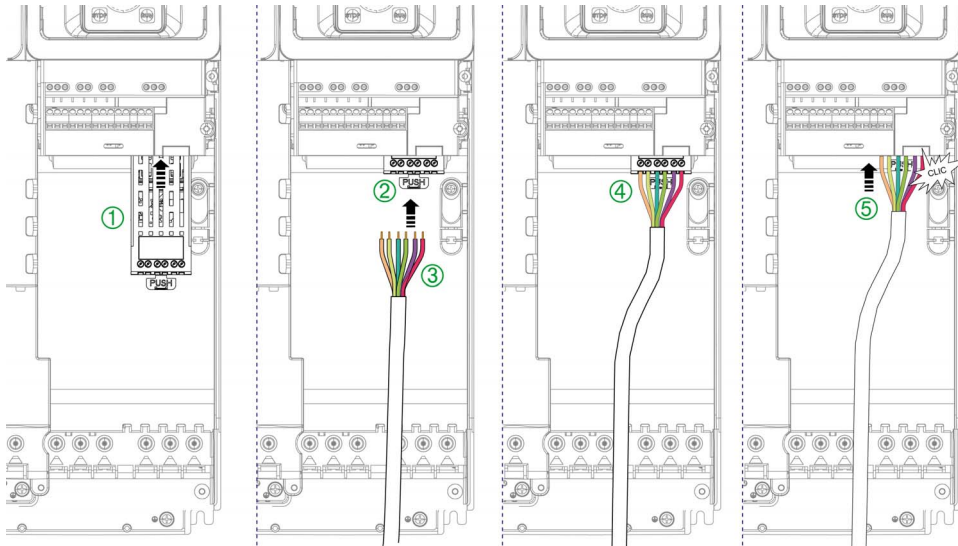
Step	Action
1	Insert the module in the dedicated slot.
2	Connect the cable to the module



### I/O Relay Module Installation and Wiring

To help ensure correct wiring of the control part, apply the following instructions to install and connect an I/O relay module.

Step	Action
1	Insert the I/O relay module in the option module slot.
2	Push the module into its location and keep access to the module terminal screws.
3	Prepare the I/O cable for wiring.
4	Wire the I/O relay module.
5	Push again the module to its final position.



### Control Cables Path - Drives With Conduit Box

To help ensure correct wiring of the control part, apply the following instructions to wire the control block terminals

Step	Action
1	Wire the P24, 0V, the digital inputs (DI1...DI6), and the +24 terminals
2	Wire the COM and the analog outputs (AQ1, AQ2) terminals, wire the 10V, the analog inputs (AI1...AI3) and COM terminals
3	Wire the Relay outputs




# Chapter 5


## Checking Installation

### Before Switching On

Unsuitable settings or unsuitable data or unsuitable wiring may trigger unintended movements, trigger signals, damage parts and disable monitoring functions.

 <b>WARNING</b>
<p><b>UNANTICIPATED EQUIPMENT OPERATION</b></p> <ul style="list-style-type: none"> <li>● Only start the system if there are no persons or obstructions in the zone of operation.</li> <li>● Verify that a functioning emergency stop push-button is within reach of all persons involved in the operation.</li> <li>● Do not operate the drive system with unknown settings or data.</li> <li>● Verify that the wiring is appropriate for the settings.</li> <li>● Never modify a parameter unless you fully understand the parameter and all effects of the modification.</li> <li>● When commissioning, carefully run tests for all operating states, operating conditions and potential error situations.</li> <li>● Anticipate movements in unintended directions or oscillation of the motor.</li> </ul> <p><b>Failure to follow these instructions can result in death, serious injury, or equipment damage.</b></p>

If the power stage is disabled unintentionally, for example as a result of power outage, errors or functions, there is a possibility that the motor is no longer decelerated in a controlled way.

 <b>WARNING</b>
<p><b>UNANTICIPATED EQUIPMENT OPERATION</b></p> <p>Verify that movements without braking effect cannot cause injuries or equipment damage.</p> <p><b>Failure to follow these instructions can result in death, serious injury, or equipment damage.</b></p>

### Mechanical Installation

Verify the mechanical installation of the entire drive system:

Step	Action	✓
1	Does the installation meet the specified distance requirements?	
2	Did you tighten all fastening screws to the specified tightening torque?	

### Electrical installation

Verify the electrical connections and the cabling:

Step	Action	✓
1	Did you connect all protective ground conductors?	
2	The correct tightening of the screws may be altered during assembly and wiring phases of the drive. Verify and adjust the tightening of all terminal screws to the specified nominal torque.	
3	Do all fuses and circuit breaker have the correct rating; are the fuses of the specified type? (refer to the catalog).	
4	Did you connect or insulate all wires at the cable ends?	
5	Did you properly connect and install all cables and connectors?	
6	Do all plug-in terminals colors and markings correspond to the colors and marking of the control block?	
7	Did you properly connect the signal wires?	
8	Are the required shield connections EMC-compliant?	

---

Step	Action	✓
9	Did you take all measures for EMC compliance?	

### Covers And Seals

Verify that all devices, doors and covers of cabinet are properly installed to meet the required degree of protection.

# Chapter 6


## Maintenance


### Scheduled servicing

#### Servicing

 <b>DANGER</b>
<p><b>HAZARD OF ELECTRIC SHOCK, EXPLOSION OR ARC FLASH</b></p> <p>Read and understand the instructions in <b>Safety Information</b> chapter before performing any procedure in this chapter.</p> <p><b>Failure to follow these instructions will result in death or serious injury.</b></p>

The temperature of the products described in this manual may exceed 80 °C (176 °F) during operation.

 <b>WARNING</b>
<p><b>HOT SURFACES</b></p> <ul style="list-style-type: none"> <li>• Ensure that any contact with hot surfaces is avoided.</li> <li>• Do not allow flammable or heat-sensitive parts in the immediate vicinity of hot surfaces.</li> <li>• Verify that the product has sufficiently cooled down before handling it.</li> <li>• Verify that the heat dissipation is sufficient by performing a test run under maximum load conditions.</li> </ul> <p><b>Failure to follow these instructions can result in death, serious injury, or equipment damage.</b></p>

 <b>WARNING</b>
<p><b>INSUFFICIENT MAINTENANCE</b></p> <p>Verify that the maintenance activities described below are performed at the specified intervals.</p> <p><b>Failure to follow these instructions can result in death, serious injury, or equipment damage.</b></p>

Adherence to the environmental conditions must be ensured during operation of the drive. In addition, during maintenance, verify and, if appropriate, correct all factors that may have an impact on the environmental conditions.

	Part concerned	Activity	Interval (1)
Overall condition	All parts such as housing, HMI, control block, connections, etc.	Perform a visual inspection	At least every year
Corrosion	Terminals, connectors, screws	Inspect and clean if required	
Dust	Terminals, fans, cabinet air inlets and air outlets, air filters of cabinet	Inspect and clean if required	
Cooling	Fan	Verify the fan operation	At least every year
Fastening	All screws for electrical and mechanical connections	Verify tightening torques	At least every year
<p><b>(1)</b> Maximum maintenance intervals from the date of commissioning. Reduce the intervals between maintenance to adapt maintenance to the environmental conditions, the operating conditions of the drive, and to any other factor that may influence the operation and/ or maintenance requirements of the drive.</p>			

**NOTE:** The fan operation depends on the drive thermal state. The drive may be running and the fan not.

Fans may continue to run for a certain period of time even after power to the product has been disconnected.

## CAUTION

### **RUNNING FANS**

Verify that fans have come to a complete standstill before handling them.

**Failure to follow these instructions can result in injury or equipment damage.**

### Diagnostic And Troubleshooting

Refer to the ATV610 Programming Manual (*see page 10*) available on [www.schneider-electric.com](http://www.schneider-electric.com).

### Spares and repairs

Serviceable product. Please refer to your Customer Care Center on:

[www.schneider-electric.com/CCC](http://www.schneider-electric.com/CCC).

### Long time storage

If the drive was not connected to mains for an extended period of time, the capacitors must be restored to their full performance before the motor is started.

## **NOTICE**

### **REDUCED CAPACITOR PERFORMANCE**

- Apply mains voltage to the drive for one hour before starting the motor if the drive has not been connected to mains for the following periods of time:
  - 12 months at a maximum storage temperature of +50°C (+122°F)
  - 24 months at a maximum storage temperature of +45°C (+113°F)
  - 36 months at a maximum storage temperature of +40°C (+104°F)
- Verify that no Run command can be applied before the period of one hour has elapsed.
- Verify the date of manufacture if the drive is commissioned for the first time and run the specified procedure if the date of manufacture is more than 12 months in the past.

**Failure to follow these instructions can result in equipment damage.**

If the specified procedure cannot be performed without a Run command because of internal mains contactor control, perform this procedure with the power stage enabled, but the motor being at standstill so that there is no appreciable mains current in the capacitors.

### Uninstall the Product

## WARNING

### **INSUFFICIENT PROTECTION**

- Implement all safety measures required by the applicable regulations and by the processes used to dismantle/disassemble and dispose of the product.
- Use all necessary personal protective equipment such as gloves and goggles.

**Failure to follow these instructions can result in death, serious injury, or equipment damage.**

Observe the following procedure when uninstalling the product.

- Switch off all supply voltage. Verify that no voltages are present - refer to Safety Information chapter (*see page 6*).
- Remove all connection cables.
- Uninstall the product.



---

## End of Life

The components of the product consist of different materials which can be recycled and which must be disposed of separately.

- Dispose of the packaging in compliance with all applicable regulations.
- Dispose of the product in compliance with all applicable regulations.

Refer to Green Premium section (*see page 16*) for information and documents on environmental protection such as EoLI (End of Life instruction).

## Customer Care Center

For additional support, you can contact our Customer Care Center on:

[www.schneider-electric.com/CCC](http://www.schneider-electric.com/CCC).





## E

**ELV**

Extra-Low Voltage. For more information: IEC 60449

**Error**

Discrepancy between a detected (computed, measured, or signaled) value or condition and the specified or theoretically correct value or condition.

## F

**Factory setting**

Factory settings when the product is shipped

**Fault**

Fault is an operating state. If the monitoring functions detect an error, a transition to this operating state is triggered, depending on the error class. A "Fault reset" is required to exit this operating state after the cause of the detected error has been removed. Further information can be found in the pertinent standards such as IEC 61800-7, ODVA Common Industrial Protocol (CIP).

**Fault reset**

A function used to restore the drive to an operational state after a detected error is cleared by removing the cause of the error so that the error is no longer active.

## L

**L/R**

Time constant equal to the quotient of inductance value (L) over the resistance value (R).

## N

**NC contact**

Normally Closed contact

**NO contact**

Normally Open contact

## O

**OEM**

Original Equipment Manufacturer

## P

**PA/+**

DC bus terminal

**PC/-**

DC bus terminal

**PELV**

Protective Extra Low Voltage, low voltage with isolation. For more information: IEC 60364-4-41

**PLC**

Programmable logic controller

**Power stage**

The power stage controls the motor. The power stage generates current for controlling the motor.

**PTC**

Positive Temperature Coefficient. PTC thermistor probes integrated in the motor to measure its temperature

**R**

**REACH**

Registration, Evaluation, Authorisation and restriction of Chemicals regulation

**RoHS**

Restriction of Hazardous Substances

**S**

**STO**

Safe Torque Off: No power that could cause torque or force is supplied to the motor

**W**

**Warning**

If the term is used outside the context of safety instructions, a warning alerts to a potential problem that was detected by a monitoring function. A warning does not cause a transition of the operating state.



